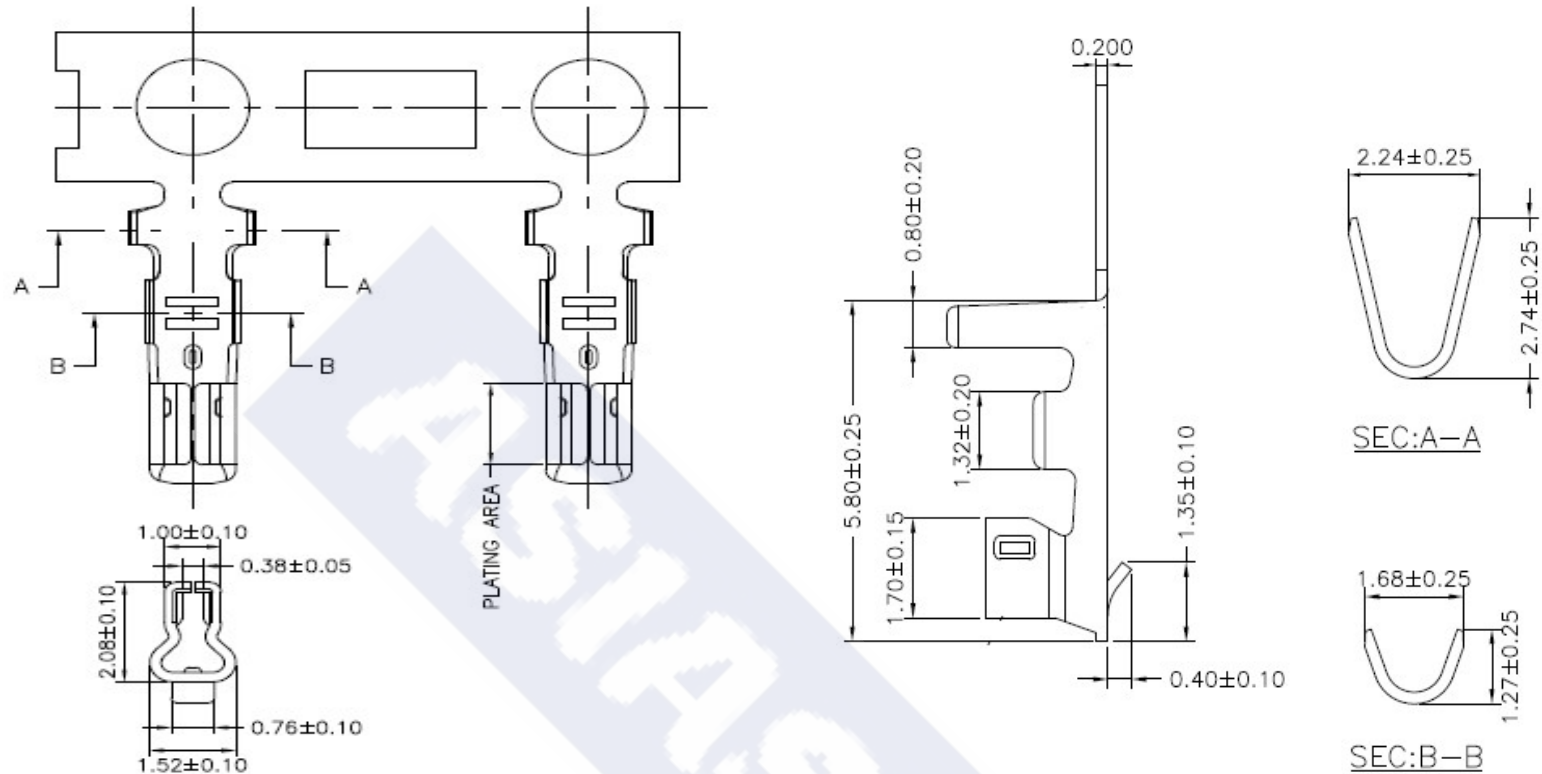


RoHS

Reach



Ordering Information & Specification

Part NO.	Wire Range	Insulation O.D.	Material	Finish	SPQ
2001JT-TP	AWG#24~AWG#30	1.50mm(max)	Phosphor Bronze	Tin-plated	10,000 pcs/reel
2001JT-GP	AWG#24~AWG#30	1.50mm(max)	Phosphor Bronze	Gold-flash	15,000 pcs/reel

** Stamping before plating

ASIAS ASIAS TECHNOLOGY CO.,LTD.

DESCRIPTION :
**2.00mm Pitch,
Crimp Terminal**

PART NO. :
2001JT-XP

GENERAL TOLERANCE

X.X ± 0.25
X.XX ± 0.15
X.XXX ± 0.05

SCALE : Free

