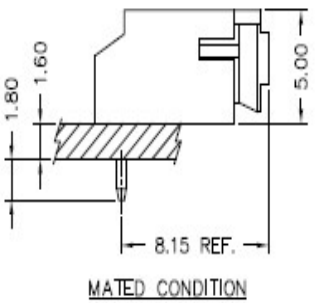
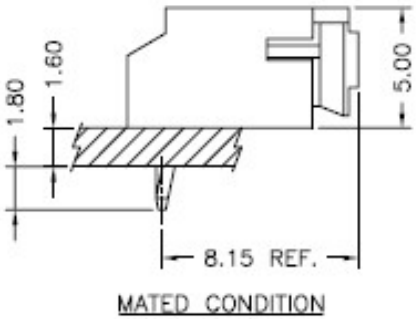
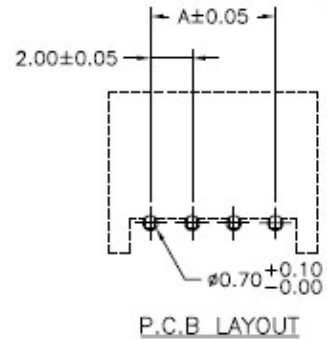
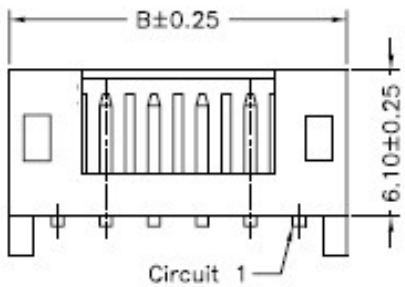
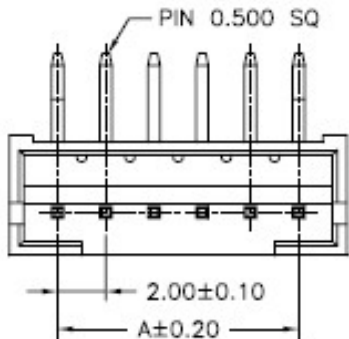
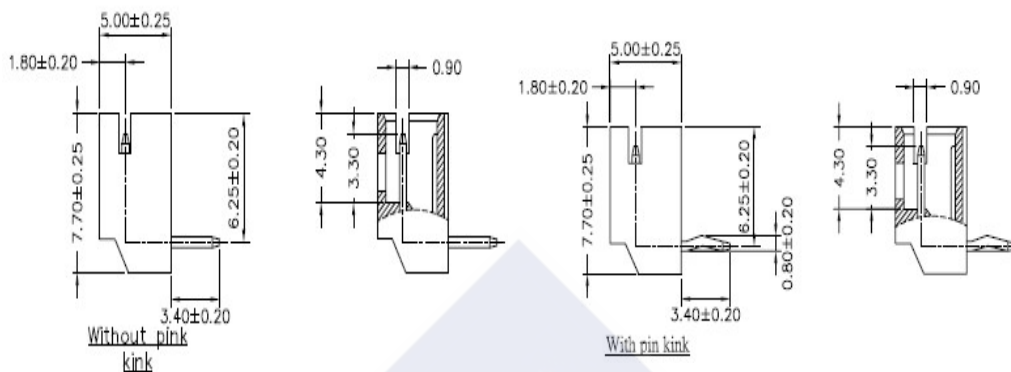


RoHS

Reach



Ordering Information & Dimension

Circuit No.	Dimensions		Circuit No.	Dimensions	
	A	B		A	B
02	2.00	6.00	11	20.00	24.00
03	4.00	8.00	12	22.00	26.00
04	6.00	10.00	13	24.00	28.00
05	8.00	12.00	14	26.00	30.00
06	10.00	14.00	15	28.00	32.00
07	12.00	16.00	16	30.00	34.00
08	14.00	18.00	17	32.00	36.00
09	16.00	20.00	18	34.00	38.00
10	18.00	22.00			

Explanation of PN.

2001J R X XX - 3 XX 0

① ② ③ ④ ⑤ ⑥ ⑦

- ① Series No.
- ② Connector Type : Right Angle
- ③ Pin Type : 0 : Without the pin kink  
1 : With the pin kink
- ④ Circuits No.
- ⑤ Insulator Material : Nylon66, UL 94-V0
- ⑥ Color : WH : White  
BK : Black
- ⑦ Contact Plating : Tin-plated

Specification :

Current Rating : 2A AC,DC

Voltage Rating : 100V AC,DC

Temperature Range : -25°C ~ +85°C

Contact Resistance : 10mΩ Max.

Insulation Resistance : 1000mΩ Min.

Withstanding Voltage : 800V AC/minute

Pin Material : Brass

Insulator Material : Nylon66, UL 94-V0



DESCRIPTION :  
2.00mm Pitch,  
Receptacle, Single Row, DIP,  
Right Angle

PART NO. :  
2001JRXXX-3XX0

GENERAL TOLERANCE

X.X ± 0.25  
X.XX ± 0.15  
X.XXX ± 0.05

SCALE : Free

