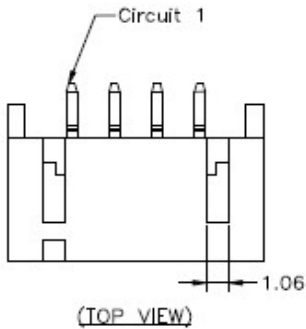
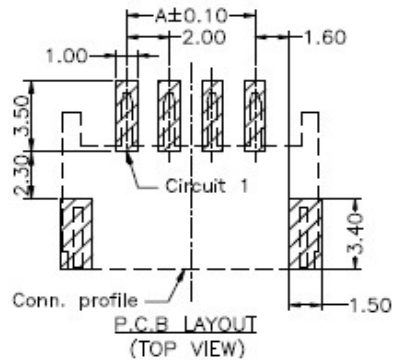
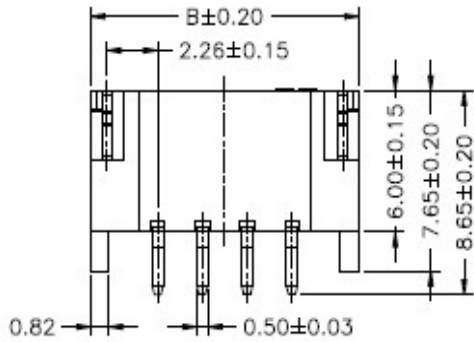
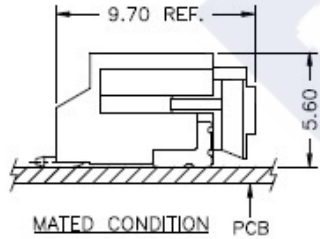
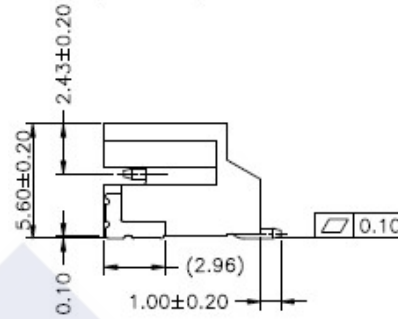
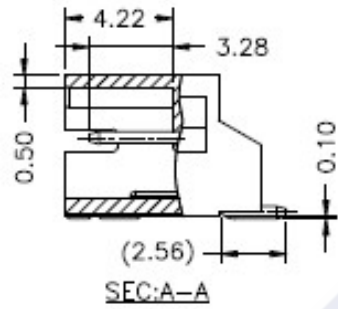
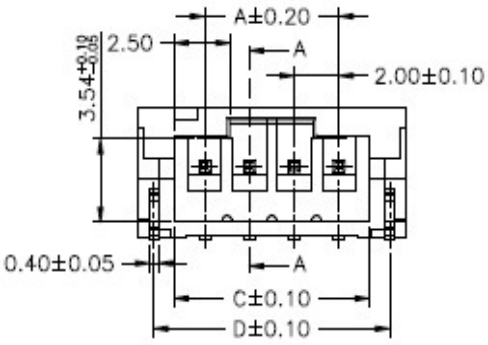


RoHS

Reach



Ordering Information & Dimension

Circuit No.	Dimensions			
	A	B	C	D
02	2.00	8.00	4.72	6.52
03	4.00	10.00	6.72	8.52
04	6.00	12.00	8.72	10.52
05	8.00	14.00	10.72	12.52
06	10.00	16.00	12.72	14.52
07	12.00	18.00	14.72	16.52
08	14.00	20.00	16.72	18.52
09	16.00	22.00	18.72	20.52
10	18.00	24.00	20.72	22.52
11	20.00	26.00	22.72	24.52
12	22.00	28.00	24.72	26.52
13	24.00	30.00	26.72	28.52
14	26.00	32.00	28.72	30.52
15	28.00	34.00	30.72	32.52
16	30.00	36.00	32.72	34.52

Explanation of PN.

2001J R S XX - X XX X X

① ② ③ ④ ⑤ ⑥ ⑦ ⑧

- ① Series No.
- ② Connector Type : Right Angle
- ③ Mounting Type : SMD
- ④ Circuits No.
- ⑤ Insulator Material : 4 : Nylon6T, UL 94-V0
6 : LCP, UL 94-V0
- ⑥ Color : NL : Natural(Beige)
BK : Black

- ⑦ Pin Material : 0.Matte Tin-plated ; 2.Gold-flash
 - ⑧ Soldering Tab : 0.Matte Tin-plated ; 2.Gold-flash
- Specification :

- Current Rating : 2A AC,DC
- Voltage Rating : 100V AC,DC
- Temperature Range : -25°C ~ +85°C
- Contact Resistance : 10mΩ Max.
- Insulation Resistance : 1000mΩ Min.
- Withstanding Voltage : 800V AC/minute
- Pin Material : Brass
- Soldering Tab : Brass
- Insulator Material : Nylon6T, UL 94-V0 or LCP, UL 94-V0
- Cap Material : Nylon6T, UL 94-V0

	DESCRIPTION : 2.00mm Pitch, Receptacle, Single row, SMD, Right Angle	GENERAL TOLERANCE	
	PART NO. : 2001JRSXX-XXXXX	X.X ± 0.25 X.XX ± 0.15 X.XXX ± 0.05	SCALE : Free