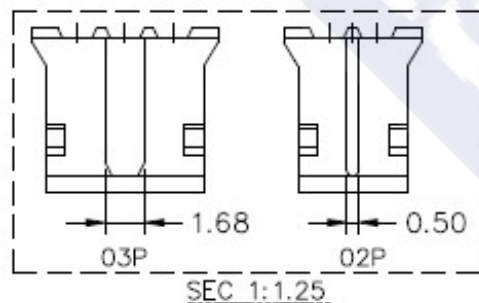
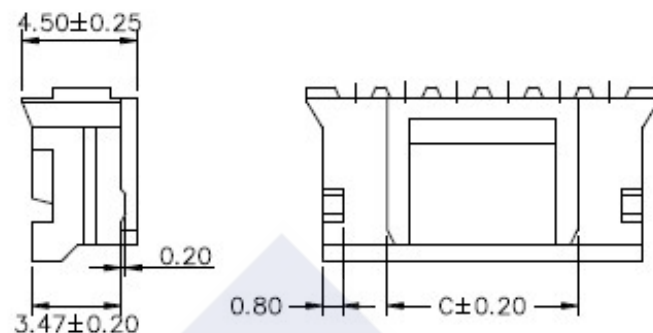
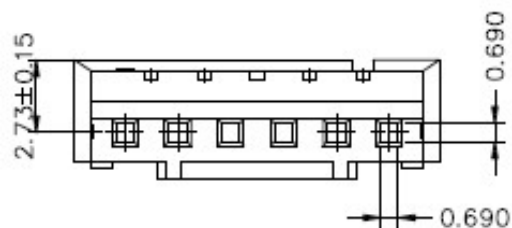
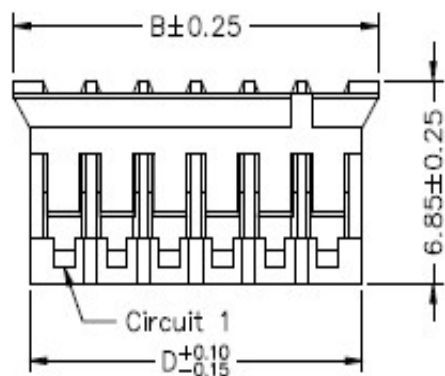
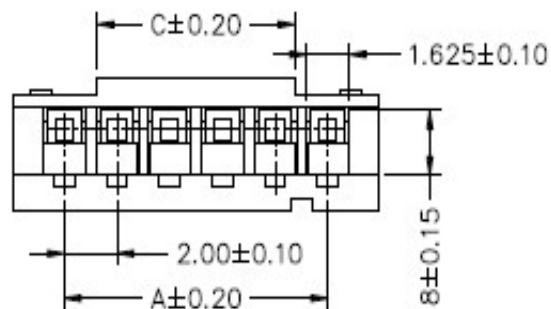


RoHS

Reach



Ordering Information & Dimension

Circuit No.	Dimensions			
	A	B	C	D
02P	2.00	5.80	0.50	4.60
03P	4.00	7.80	1.68	6.60
04P	6.00	9.80	3.50	8.60
05P	8.00	11.80	5.50	10.60
06P	10.00	13.80	7.50	12.60
07P	12.00	15.80	9.50	14.60
08P	14.00	17.80	11.50	16.60
09P	16.00	19.80	13.50	18.60
10P	18.00	21.80	15.50	20.60
11P	20.00	23.80	17.50	22.60
12P	22.00	25.80	19.50	24.60
13P	24.00	27.80	21.50	26.60
14P	26.00	29.80	23.50	28.60
15P	28.00	31.80	25.50	30.60
16P	30.00	33.80	27.50	32.60
17P	32.00	35.80	29.50	34.60
18P	34.00	37.80	31.50	36.60
19P	36.00	39.80	33.50	38.60
20P	38.00	41.80	35.50	40.60
21P	40.00	43.80	37.50	42.60
22P	42.00	45.80	39.50	44.60

Explanation of PN.

2001J H XX - 3 XX

① ② ③ ④ ⑤

- ① Series No.
- ② Connector Type : Housing
- ③ Circuits No.
- ④ Insulator Material : Nylon66, UL 94-V0
- ⑤ Color : WH : White
BK : Black

Specification :

Current Rating : 2A AC,DC

Voltage Rating : 100V AC,DC

Temperature Range : -25°C ~ +85°C

Contact Resistance : 10mΩ Max.

Insulation Resistance : 1000mΩ Min.

Withstanding Voltage : 800V AC/minute

Insulator Material : Nylon66, UL 94-V0

ASIAS ASIAS TECHNOLOGY CO.,LTD.

DESCRIPTION :
2.00mm Pitch,
Housing, Single Row
PART NO. :
2001JHXX-3XX
GENERAL TOLERANCE
X.X ± 0.25
X.XX ± 0.15
X.XXX ± 0.05

SCALE : Free

