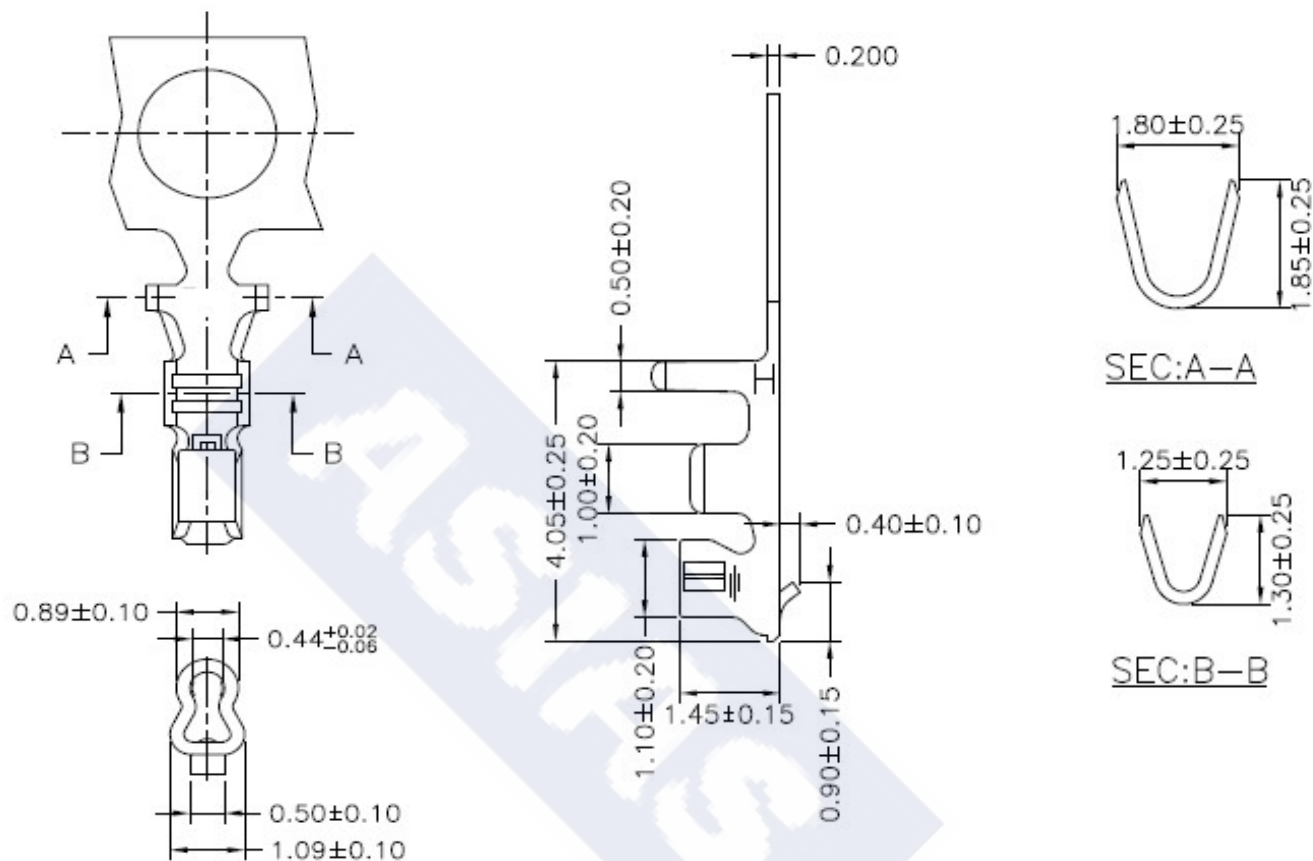


RoHS

Reach



Ordering Information & Specification

Part NO.	Wire Range	Insulation O.D.	Material	Finish	SPQ
1500JT-TP-H	AWG#24~AWG#30	1.10mm(max)	Phosphor Bronze	Tin-plated	15,000 pcs/reel

** Stamping before plating

DESCRIPTION :
**1.50mm Pitch,
 Crimp Terminal, H Type**

PART NO. :
1500JT-TP-H

GENERAL TOLERANCE

X.X ± 0.25
 X.XX ± 0.15
 X.XXX ± 0.05

SCALE : Free

