

RoHS

Reach

Explanation of PN.

1272J VA S D XX - 4 BK 2

① ② ③ ④ ⑤ ⑥ ⑦ ⑧

- ① Series No.
 ② Connector Type : Straight Angle A Type
 ③ Mounting Type : SMD Type
 ④ Row Type : Dual Row
 ⑤ Circuits No.
 ⑥ Insulator Material : 4 : Nylon6T, UL 94-V0
 ⑦ Color : BK : Black
 ⑧ Contact Plating : 2 : Gold-flash

Specification :

Current Rating : 1A AC,DC

Voltage Rating : 250V AC,DC

Temperature Range : -25°C ~ +85°C

Contact Resistance : 20mΩ Max.

Insulation Resistance : 5000mΩ Min.

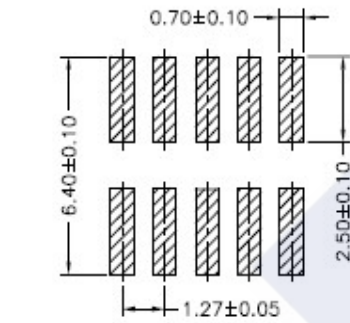
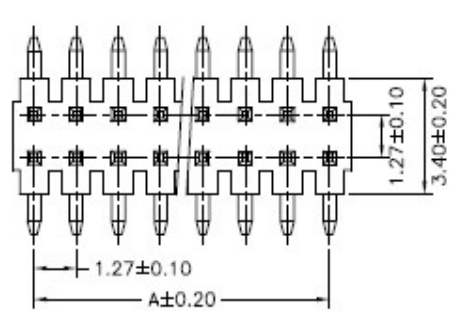
Withstanding Voltage : 500V AC/minute

Pin Material : Brass

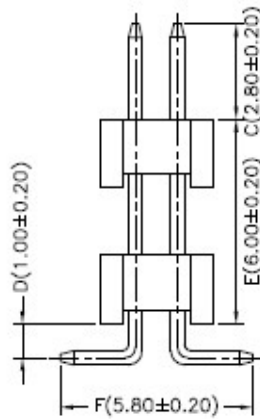
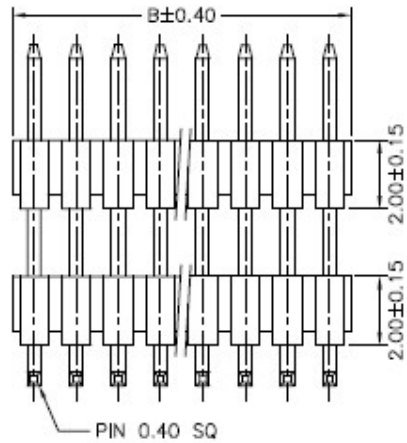
Insulator Material : Nylon6T, UL 94-V0

Ordering Information & Dimension

Circuits No.	Dimensions		Circuits No.	Dimensions		Circuits No.	Dimensions	
	A	B		A	B		A	B
06	2.54	3.81	38	22.86	24.13	70	43.18	44.45
08	3.81	5.08	40	24.13	25.40	72	44.45	45.72
10	5.08	6.35	42	25.40	26.67	74	45.72	46.99
12	6.35	7.62	44	26.67	27.94	76	46.99	48.26
14	7.62	8.89	46	27.94	29.21	78	48.26	49.53
16	8.89	10.16	48	29.21	30.48	80	49.53	50.80
18	10.16	11.43	50	30.48	31.75	82	50.80	52.07
20	11.43	12.70	52	31.75	33.02	84	52.07	53.34
22	12.70	13.97	54	33.02	34.29	86	53.34	54.61
24	13.97	15.24	56	34.29	35.56	88	54.61	55.88
26	15.24	16.51	58	35.56	36.83	90	55.88	57.15
28	16.51	17.78	60	36.83	38.10	92	57.15	58.42
30	17.78	19.05	62	38.10	39.37	94	58.42	59.69
32	19.05	20.32	64	39.37	40.64	96	59.69	60.96
34	20.32	21.59	66	40.64	41.91	08	60.96	62.23
36	21.59	22.86	68	41.91	43.18	100	62.23	63.50



P.C.B LAYOUT



DESCRIPTION :
 1.27mm Pitch,
 Pin Header, Dual Row, SMD,
 Straight Angle, A Type

PART NO. :
 1272JVASDXX-4BK2

GENERAL TOLERANCE

X.X ± 0.25
 X.XX ± 0.15
 X.XXX ± 0.05

SCALE : Free

