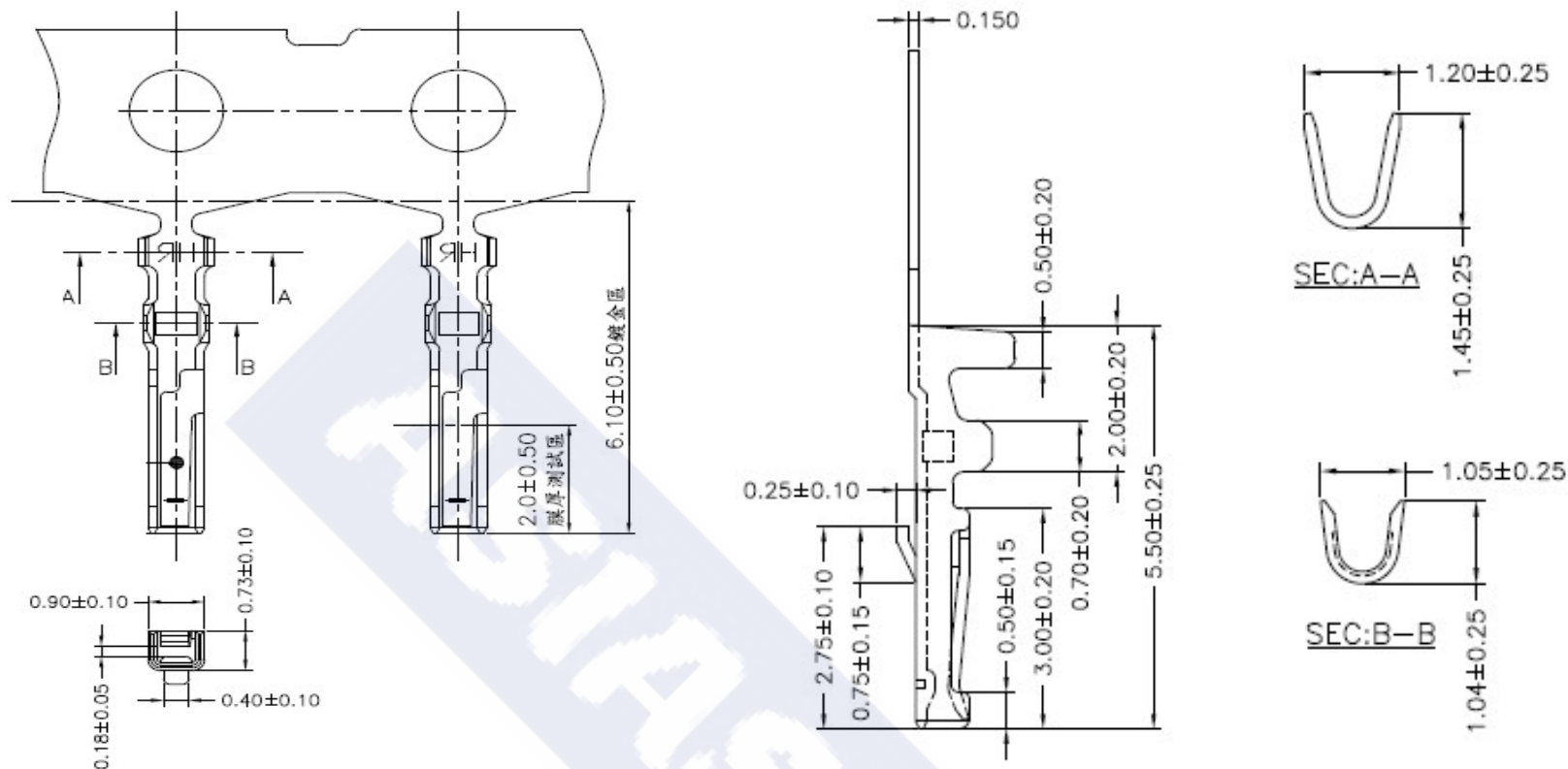


RoHS

Reach



Ordering Information & Specification

Part NO.	Wire Range	Insulation O.D.	Material	Finish	SPQ
1254JT-TP	AWG#28~AWG#32	0.90mm(max)	Phosphor Bronze	Tin-plated	10,000 pcs/reel
1254JT-GP	AWG#28~AWG#32	0.90mm(max)	Phosphor Bronze	Gold-flash	10,000 pcs/reel

DESCRIPTION :
1.25mm Pitch,
Crimp Terminal

PART NO. :
1254JT-XP

GENERAL TOLERANCE

X.X ± 0.25
X.XX ± 0.15
X.XXX ± 0.05

SCALE : Free

