

RoHS

Reach

Ordering Information & Dimension

Circuit No.	Dimensions				
	A	B	C	D	E
02	1.25	7.65	8.07	---	2.90
03	2.50	8.90	9.32	---	4.15
04	3.75	10.15	10.57	2.50	5.40
05	5.00	11.40	11.82	3.75	6.65
06	6.25	12.65	13.07	5.00	7.90
07	7.50	13.90	14.32	6.25	9.15
08	8.75	15.15	15.57	7.50	10.40
09	10.00	16.40	16.82	8.75	11.65
10	11.25	17.65	18.07	10.00	12.90
11	12.50	18.90	19.32	11.25	14.15
12	13.75	20.15	20.57	12.50	15.40
14	16.25	22.65	23.07	15.00	17.90
15	17.50	23.90	24.32	16.25	19.15
16	18.75	25.15	25.57	17.50	20.40
20	23.75	30.15	30.57	22.50	25.40
30	36.25	42.65	43.07	22.50	37.90

Explanation of PN.

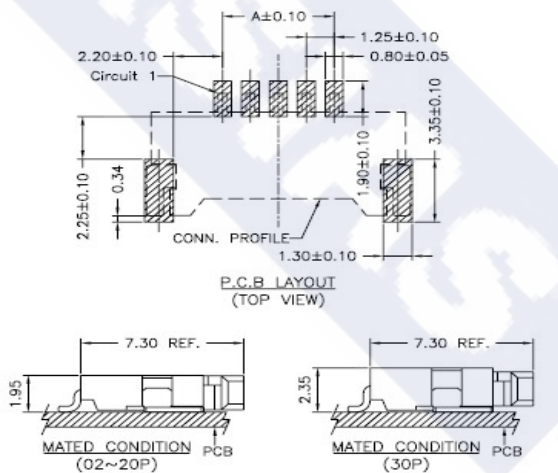
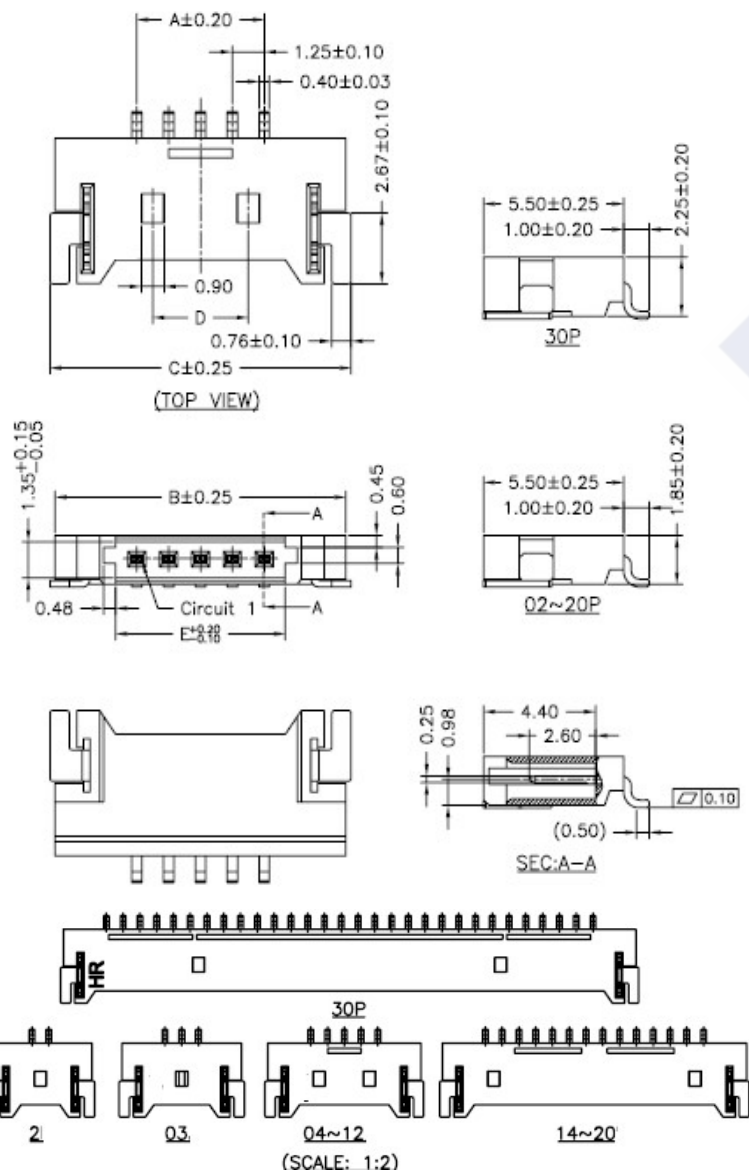
1254J R S XX - 4 NL 5 X

① ② ③ ④ ⑤ ⑥ ⑦ ⑧

- ① Series No.
- ② Connector Type : Right Angle
- ③ Mounting Type : SMD Type
- ④ Circuits No.
- ⑤ Insulator Material : 4 : Nylon6T, UL 94-V0
- ⑥ Color : NL : Natural(Beige)
- ⑦ Contact Plating : 5 : Gold-plated in 3u"
- ⑧ Soldering Tab : 0 : Matte Tin-plated ; 2 : Gold-flash

Specification :

- Current Rating : 1A AC,DC
- Voltage Rating : 125V AC,DC
- Temperature Range : -25°C ~ +85°C
- Contact Resistance : 20mΩ Max.
- Insulation Resistance : 100mΩ Min.
- Withstanding Voltage : 500V AC/minute
- Pin Material : Brass
- Soldering Tab : Brass
- Insulator Material : Housing : Nylon6T, UL 94-V0



	<b>DESCRIPTION :</b> 1.25mm Pitch, Receptacle, Single Row, SMD, Right Angle	<b>GENERAL TOLERANCE</b>	
	<b>PART NO. :</b> 1254JRSXX-4NL5X	X.X ± 0.25 X.XX ± 0.15 X.XXX ± 0.05	SCALE : Free 