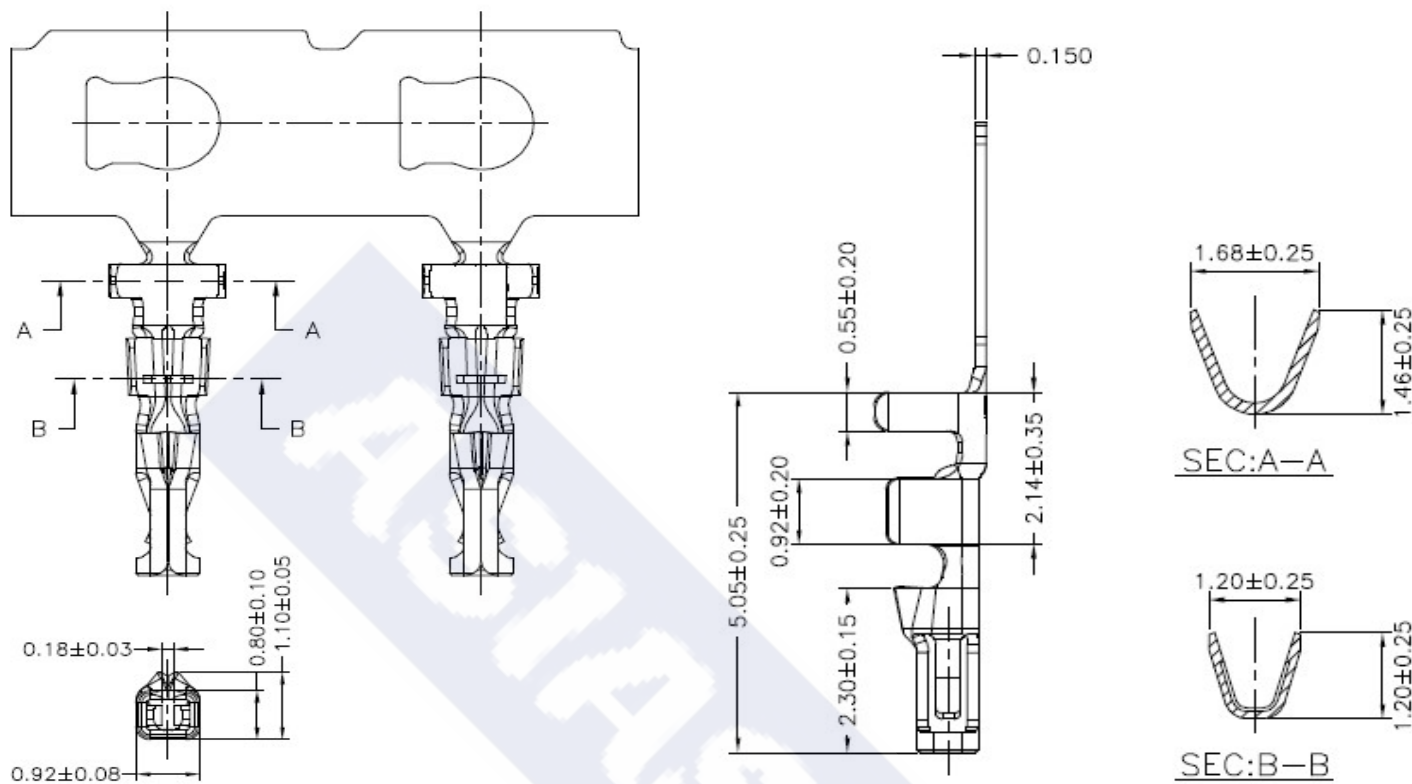


RoHS

Reach



## Ordering Information &amp; Specification

Part NO.	Wire Range	Insulation O.D.	Material	Finish	SPQ
1253JT-TP-A	AWG#26~AWG#32	0.90mm(max)	Phosphor Bronze	Tin-plated	15,000 pcs/reel
1253JT-GP-A	AWG#26~AWG#32	0.90mm(max)	Phosphor Bronze	Gold-flash	15,000 pcs/reel

DESCRIPTION :  
**1.25mm Pitch,  
 Crimp Terminal, A Type**

PART NO. :  
**1253JT-XP-A**

## GENERAL TOLERANCE

X.X ± 0.25  
 X.XX ± 0.15  
 X.XXX ± 0.05

SCALE : Free

