

RoHS

Reach

Explanation of PN.

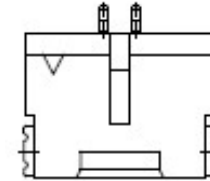
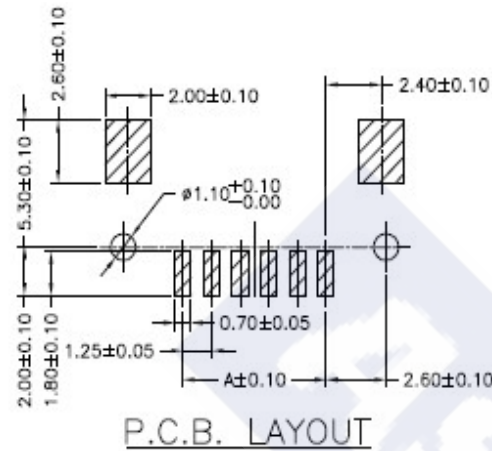
**1253J R F S XX - 4 NL 0 0**

① ② ③ ④ ⑤ ⑥ ⑦ ⑧ ⑨

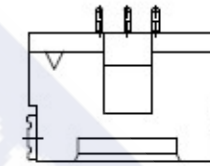
- ① Series No.
- ② Connector Type : Right Angle
- ③ Option Type : With Foot
- ④ Mounting Type : SMD Type
- ⑤ Circuits No.
- ⑥ Insulator Material : 4 : Nylon6T, UL 94-V0
- ⑦ Color : NL : Natural(Beige)
- ⑧ Contact Plating : 0 : Matte Tin-plated
- ⑨ Soldering Tab : 0 : Matte Tin-plated

Specification :

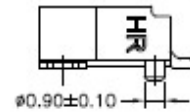
Current Rating :	1A AC,DC
Voltage Rating :	150V AC,DC
Temperature Range :	-25°C ~ +85°C
Contact Resistance :	30mΩ Max.
Insulation Resistance :	500mΩ Min.
Withstanding Voltage :	500V AC/minute
Pin Material :	Brass
Soldering Tab	Brass
Insulator Material :	Housing : Nylon6T, UL 94-V0



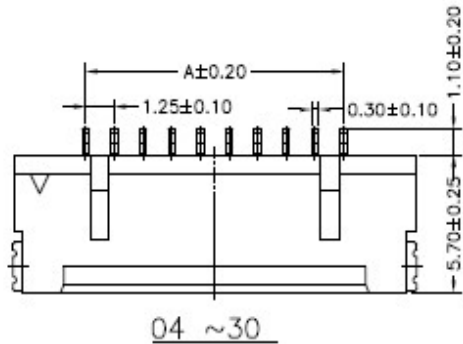
02



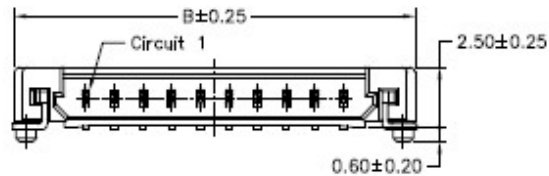
03



$\phi 0.90 \pm 0.10$



04 ~ 30



Ordering Information &amp; Dimension

Circuit No.	Dimensions		Circuit No.	Dimensions	
	A	B		A	B
02	1.25	7.45	11	12.50	18.70
03	2.50	8.70	12	13.75	19.95
04	3.75	9.95	13	15.00	21.20
05	5.00	11.20	14	16.25	22.45
06	6.25	12.45	15	17.50	23.70
07	7.50	13.70	20	23.75	29.95
08	8.75	14.95	21	24.00	31.20
09	10.00	16.20	25	30.00	36.20
10	11.25	17.45	30	36.25	42.45

**ASIAS** ASIAS TECHNOLOGY CO.,LTD.

**DESCRIPTION :**  
1.25mm Pitch,  
Receptacle, Single Row, SMD,  
Right Angle, With Foot

**PART NO. :**  
1253JRFSXX-4NL00

**GENERAL TOLERANCE**

X.X ± 0.25  
X.XX ± 0.15  
X.XXX ± 0.05

SCALE : Free

