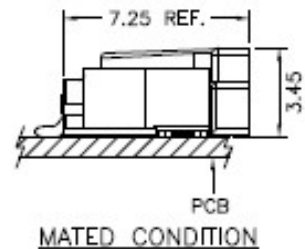
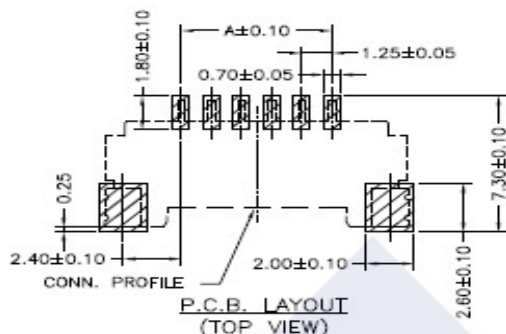
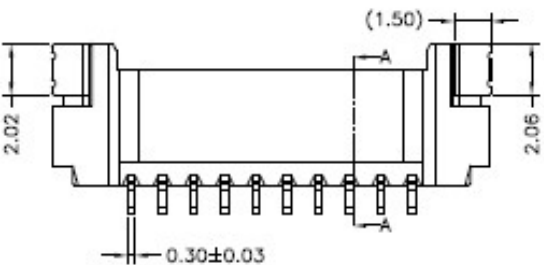
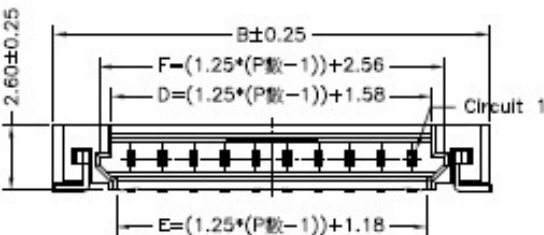
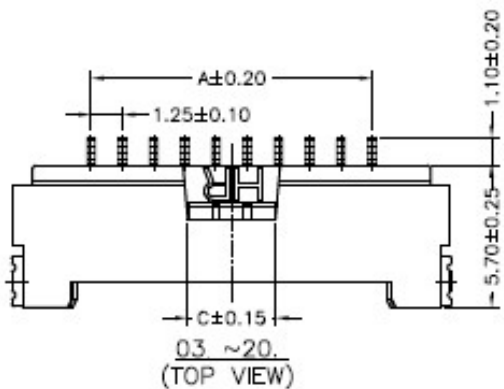
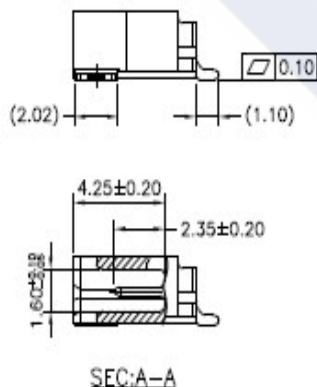


RoHS

Reach



Ordering Information & Dimension



| Circuit No. | Dimensions | | |
|-------------|------------|-------|------|
| | A | B | C |
| 02 | 1.25 | 7.45 | 3.50 |
| 03 | 2.50 | 8.70 | 3.50 |
| 04 | 3.75 | 9.95 | 3.50 |
| 05 | 5.00 | 11.20 | 3.50 |
| 06 | 6.25 | 12.45 | 3.50 |
| 07 | 7.50 | 13.70 | 3.50 |
| 08 | 8.75 | 14.95 | 3.50 |
| 09 | 10.00 | 16.20 | 3.50 |
| 10' | 11.25 | 17.45 | 3.50 |
| 11 | 12.50 | 18.70 | 5.00 |
| 12 | 13.75 | 19.95 | 5.00 |
| 13 | 15.00 | 21.20 | 5.00 |
| 14 | 16.25 | 22.45 | 5.00 |
| 15 | 17.50 | 23.70 | 5.00 |
| 20 | 23.75 | 29.95 | 5.00 |
| 25 | 30.00 | 36.20 | 6.00 |
| 30 | 36.25 | 42.45 | 6.00 |

Explanation of PN.

1253J R A S XX - 4 NL X X
 ① ② ③ ④ ⑤ ⑥ ⑦ ⑧ ⑨

- ① Series No.
- ② Connector Type : Right Angle
- ③ Option Type : A Type
- ④ Mounting Type : SMD Type
- ⑤ Circuits No.
- ⑥ Insulator Material : 4 : Nylon6T, UL 94-V0
- ⑦ Color : NL : Natural(Beige)
- ⑧ Contact Plating : 0 : Matte Tin-plated ; 2 : Gold-flash
- ⑨ Soldering Tab : 0 : Matte Tin-plated ; 2 : Gold-flash

Specification :

- Current Rating : 1A AC,DC
- Voltage Rating : 150V AC,DC
- Temperature Range : -25°C ~ +85°C
- Contact Resistance : 20mΩ Max.
- Insulation Resistance : 500mΩ Min.
- Withstanding Voltage : 500V AC/minute
- Pin Material : Brass
- Soldering Tab : Brass
- Insulator Material : Housing : Nylon6T, UL 94-V0

| | | | |
|--|--|---|----------------------|
| | DESCRIPTION : 1.25mm Pitch, Receptacle, Single Row, SMD, Right Angle, A Type | GENERAL TOLERANCE | |
| | PART NO. : 1253JRASXX-4NLXX | X.X ± 0.25 X.XX ± 0.15 X.XXX ± 0.05 | SCALE : Free |