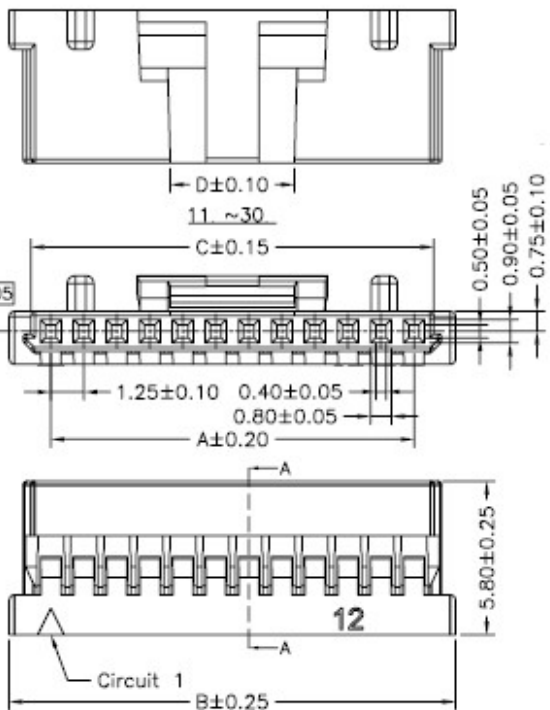
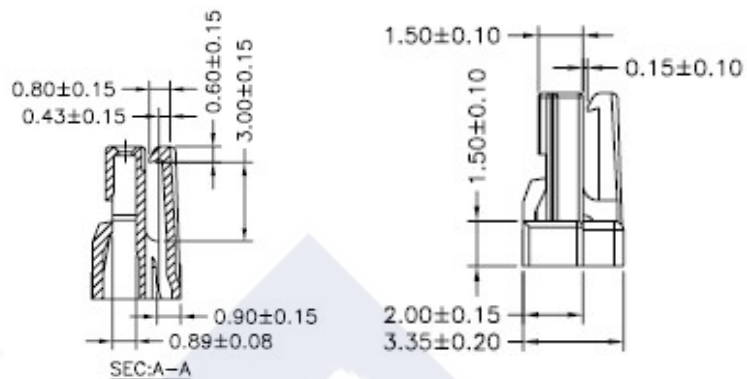
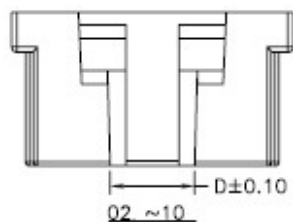


RoHS

Reach



Ordering Information & Dimension

Circuit No.	Dimensions			
	A	B	C	D
02	1.25	4.40	2.75	1.10
03	2.50	5.65	4.00	1.95
04	3.75	6.90	5.25	3.20
05	5.00	8.15	6.50	3.20
06	6.25	9.40	7.75	3.20
07	7.50	10.65	9.00	3.20
08	8.75	11.90	10.25	3.20
09	10.00	13.15	11.50	3.20
10	11.25	14.40	12.75	3.20
11	12.50	15.65	14.00	4.70
12	13.75	16.90	15.25	4.70
13	15.00	18.15	16.50	4.70
14	16.25	19.40	17.75	4.70
15	17.50	20.65	19.00	4.70
20	23.75	26.90	25.25	4.70
25	30.00	33.15	31.50	5.70
30	36.25	39.40	37.75	5.70

Explanation of PN.

1253J H A XX - 3 WH

① ② ③ ④ ⑤ ⑥

- ① Series No.
- ② Connector Type : Housing
- ③ Option Type : A Type
- ④ Circuits No.
- ⑤ Insulator Material : 3 : Nylon66, UL 94-V0
- ⑥ Color : WH : White

Specification :

- Current Rating : 1A AC,DC
- Voltage Rating : 150V AC,DC
- Temperature Range : -25°C ~ +85°C
- Contact Resistance : 20mΩ Max.
- Insulation Resistance : 500mΩ Min.
- Withstanding Voltage : 500V AC/minute
- Insulator Material : Nylon66, UL 94-V0

	DESCRIPTION : 1.25mm Pitch, Housing, Single row, A Type	GENERAL TOLERANCE	
	PART NO. : 1253JHAXX-3WH	X.X ± 0.25 X.XX ± 0.15 X.XXX ± 0.05	SCALE : Free