

RoHS

Reach

Explanation of PN.

1252J H 1 D XX - 3 GR

① ② ③ ④ ⑤ ⑥ ⑦

- ① Series No.
- ② Connector Type : Housing
- ③ Option Type : With Mounting Ear
- ④ Row Type : Dual Row
- ⑤ Circuits No.
- ⑥ Insulator Material : 3 : Nylon66, UL 94-V0
- ⑦ Color : GR : Gray

Ordering Information & Dimension

Circuit NO.	Dimensions		
	A	B	D
10	5.00	13.40	15.10
12	6.25	14.65	16.35
14	7.50	15.90	17.60
20	11.25	19.65	21.35
30	17.50	25.90	27.60
34	20.00	28.40	30.10
36	21.25	29.65	31.35
40	23.75	32.15	33.85
42	25.00	33.40	35.10

Specification :

Current Rating : 1A AC,DC

Voltage Rating : 150V AC,DC

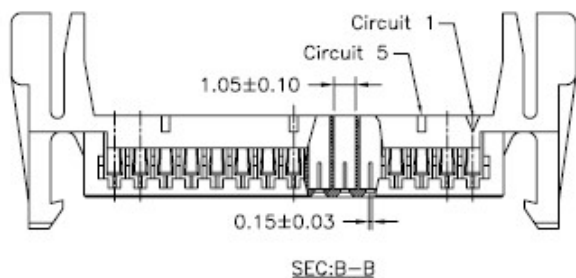
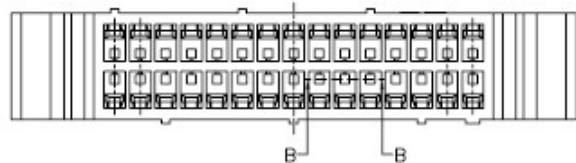
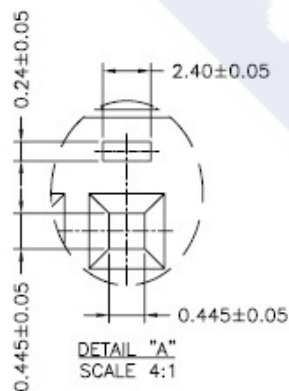
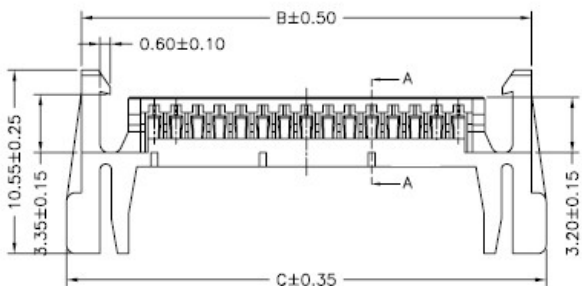
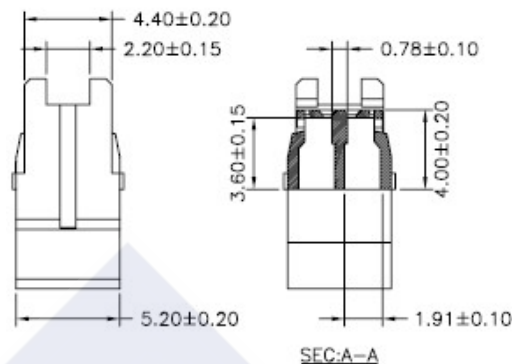
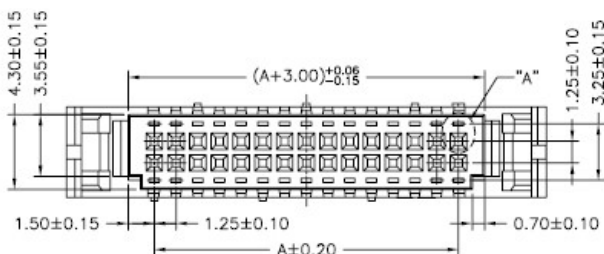
Temperature Range : -25°C ~ +85°C

Contact Resistance : 30mΩ Max.

Insulation Resistance : 500mΩ Min.

Withstanding Voltage : 500V AC/minute

Insulator Material : Nylon66, UL 94-V0



	DESCRIPTION : 1.25mm Pitch, Housing, Dual row, With Mounting Ear	GENERAL TOLERANCE	
	PART NO. : 1252JH1DXX-3GR	X.X ± 0.25 X.XX ± 0.15 X.XXX ± 0.05	SCALE : Free