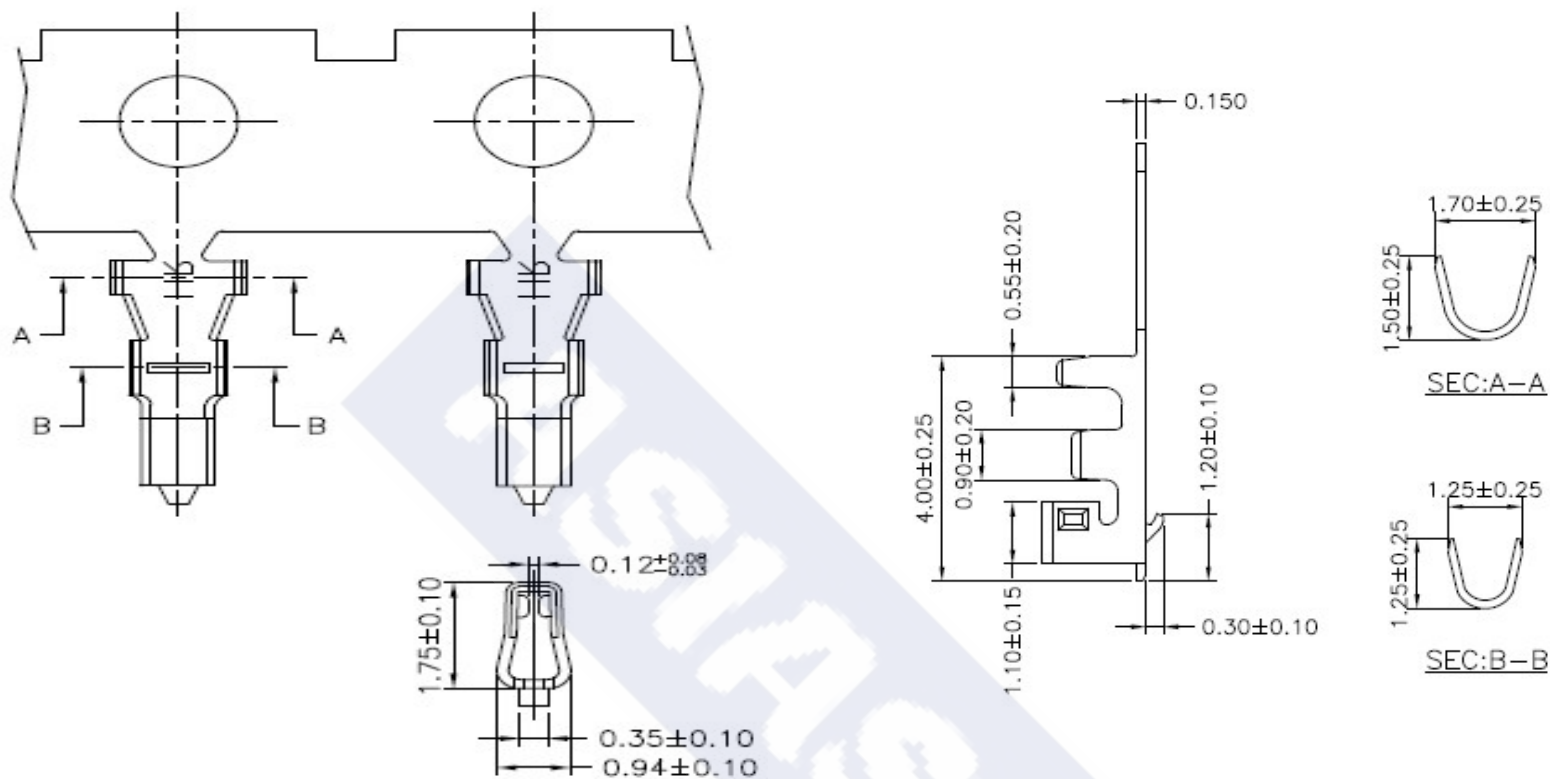


RoHS

Reach



## Ordering Information &amp; Specification

Part NO.	Wire Range	Insulation O.D.	Material	Finish	SPQ
1251JT-TP	AWG#28~AWG#32	1.00mm(max)	Phosphor Bronze	Tin-plated	10,000 pcs/reel

**ASIAS** ASIAS TECHNOLOGY CO.,LTD.

DESCRIPTION :  
**1.25mm Pitch,  
Crimp Terminal**

PART NO. :  
**1251JT-TP**

## GENERAL TOLERANCE

X.X ± 0.25  
X.XX ± 0.15  
X.XXX ± 0.05

SCALE : Free

