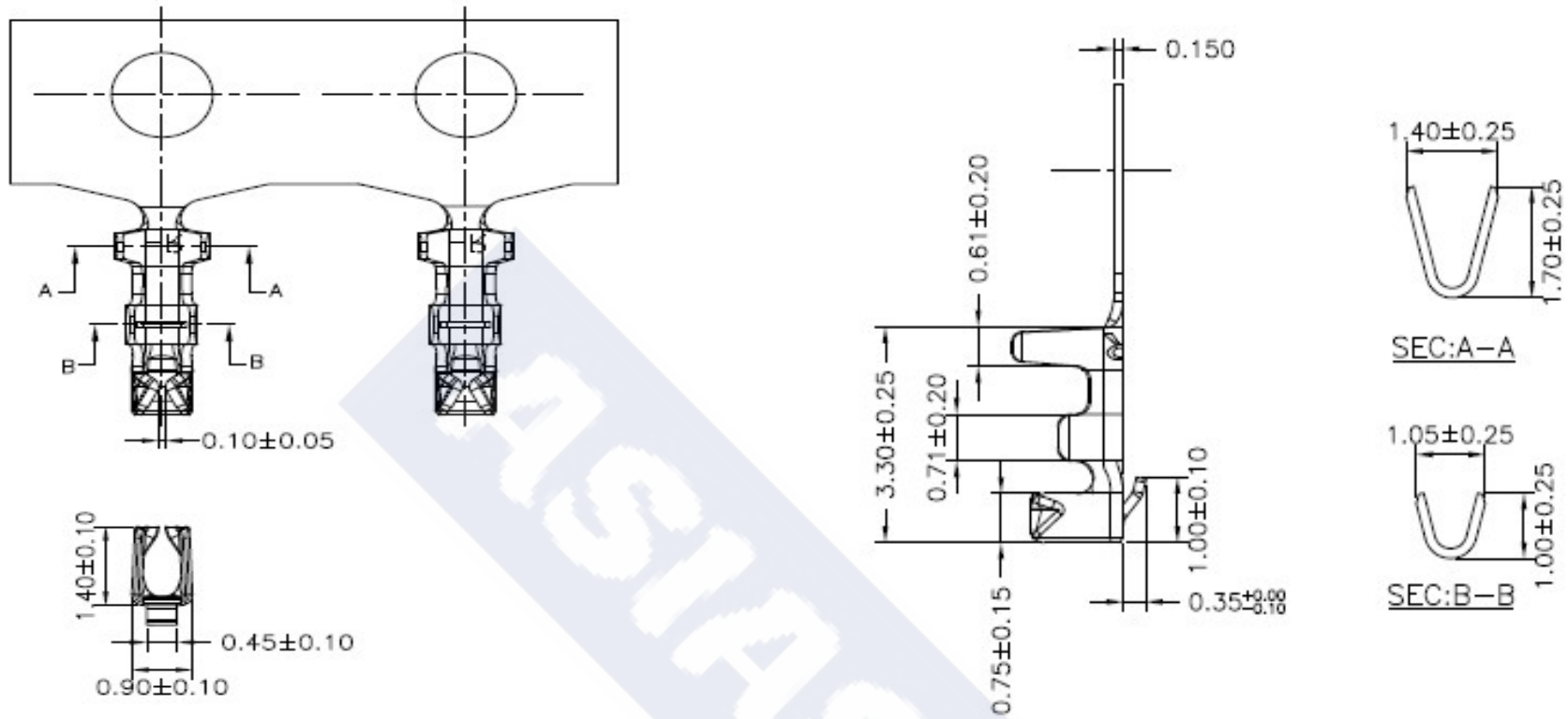


RoHS

Reach



Ordering Information & Specification

Part NO.	Wire Range	Insulation O.D.	Material	Finish	SPQ
1250JT-TP	AWG#28~AWG#32	1.00mm(max)	Phosphor Bronze	Tin-plated	15,000 pcs/reel
1250JT-GP	AWG#28~AWG#32	1.00mm(max)	Phosphor Bronze	Gold-flash	15,000 pcs/reel

DESCRIPTION :
**1.25mm Pitch,
 Crimp Terminal**

PART NO. :
1250JT-XP

GENERAL TOLERANCE

X.X ± 0.25
 X.XX ± 0.15
 X.XXX ± 0.05

SCALE : Free

