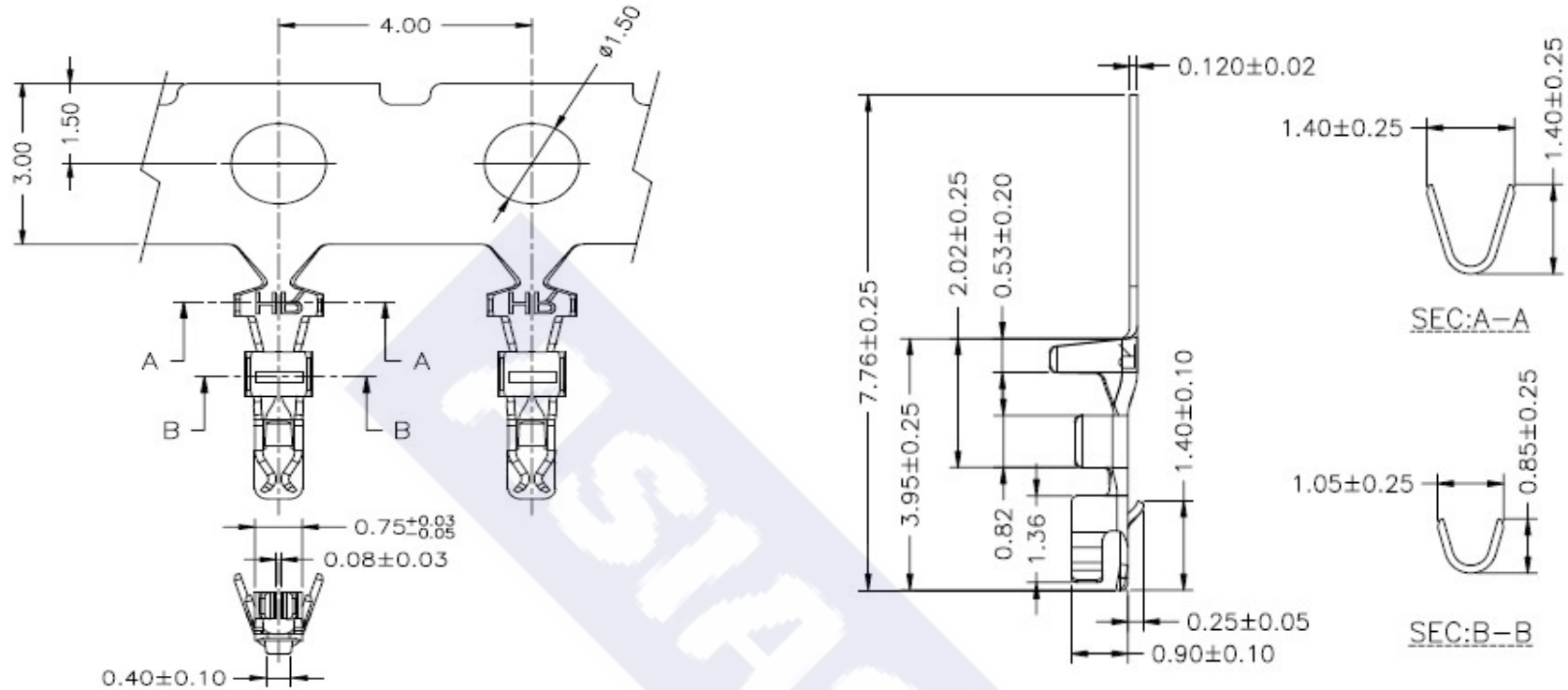


RoHS

Reach



## Ordering Information &amp; Specification

Part NO.	Wire Range	Insulation O.D.	Material	Finish	SPQ
1024JT-TP	AWG#28~AWG#32	0.80mm(max)	Phosphor Bronze	Tin-plated	15,000 pcs/reel
1024JT-GP	AWG#28~AWG#32	0.80mm(max)	Phosphor Bronze	Gold-flash	15,000 pcs/reel

DESCRIPTION :  
**1.00mm Pitch,  
 Crimp Terminal**

PART NO. :  
**1024JT-XP**

## GENERAL TOLERANCE

X.X  $\pm 0.25$   
 X.XX  $\pm 0.15$   
 X.XXX  $\pm 0.05$

SCALE : Free

