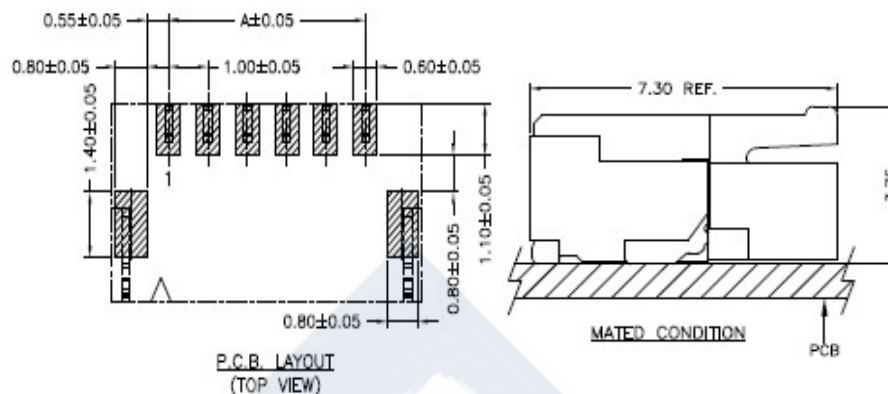
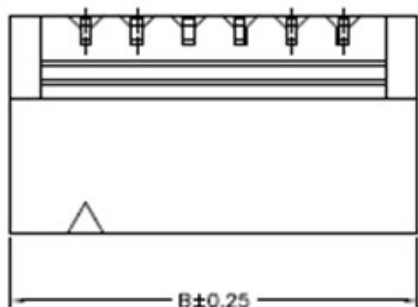


RoHS

Reach



Explanation of PN.

1024J R B S XX - 6 NL X X

① ② ③ ④ ⑤ ⑥ ⑦ ⑧ ⑨

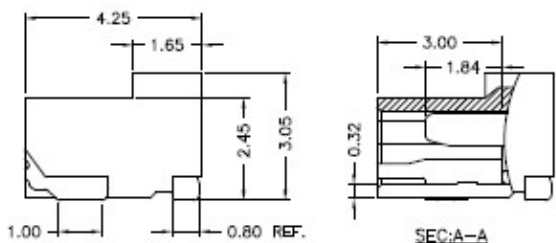
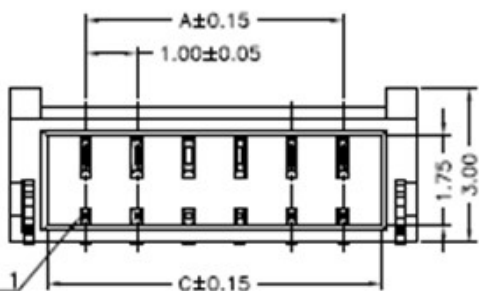
- ① Series No.
- ② Connector Type : Right Angle
- ③ Option Type : B type
- ④ Mounting Type : SMD
- ⑤ Circuits No.
- ⑥ Insulator Material : LCP, UL 94-V0
- ⑦ Color : Natural(Beige)
- ⑧ Contact Plating : 0.Matte Tin-plated ; 3.Gold-flash
- ⑨ Soldering Tab : 0.Matte Tin-plated ; 3.Gold-flash

Ordering Information & Dimension

Circuit NO.	Dimensions			Circuit NO.	Dimensions		
	A	B	C		A	B	C
02	1.00	3.90	2.50	12	11.00	13.90	12.50
03	2.00	4.90	3.50	13	12.00	14.90	13.50
04	3.00	5.90	4.50	14	13.00	15.90	14.50
05	4.00	6.90	5.50	15	14.00	16.90	15.50
06	5.00	7.90	6.50	16	15.00	17.90	16.50
07	6.00	8.90	7.50	17	16.00	18.90	17.50
08	7.00	9.90	8.50	18	17.00	19.90	18.50
09	8.00	10.90	9.50	19	18.00	20.90	19.50
10	9.00	11.90	10.50	20	19.00	21.90	20.50
11	10.00	12.90	11.50				

Specification :

- Current Rating : 1A AC,DC
- Voltage Rating : 50V AC,DC
- Temperature Range : -25°C ~ +85°C
- Contact Resistance : 20mΩ Max.
- Insulation Resistance : 100mΩ Min.
- Withstanding Voltage : 500V AC/minute
- Pin Material : Phosphor Bronze
- Soldering Tab : Brass
- Insulator Material : LCP, UL 94-V0
- Color : Natural(Beige)



	DESCRIPTION : 1.00mm Pitch, Receptacle, Single Row, SMD, Right Angle, B Type	GENERAL TOLERANCE	
	PART NO. : 1024JRBSXX-6NLXX	X.X ± 0.25 X.XX ± 0.15 X.XXX ± 0.05	SCALE : Free