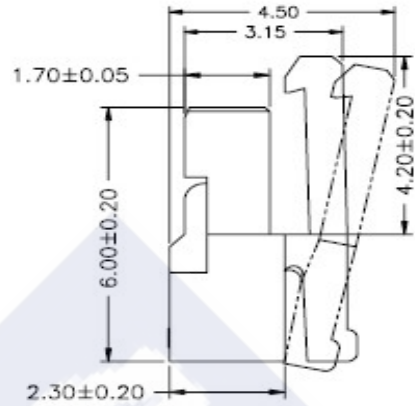
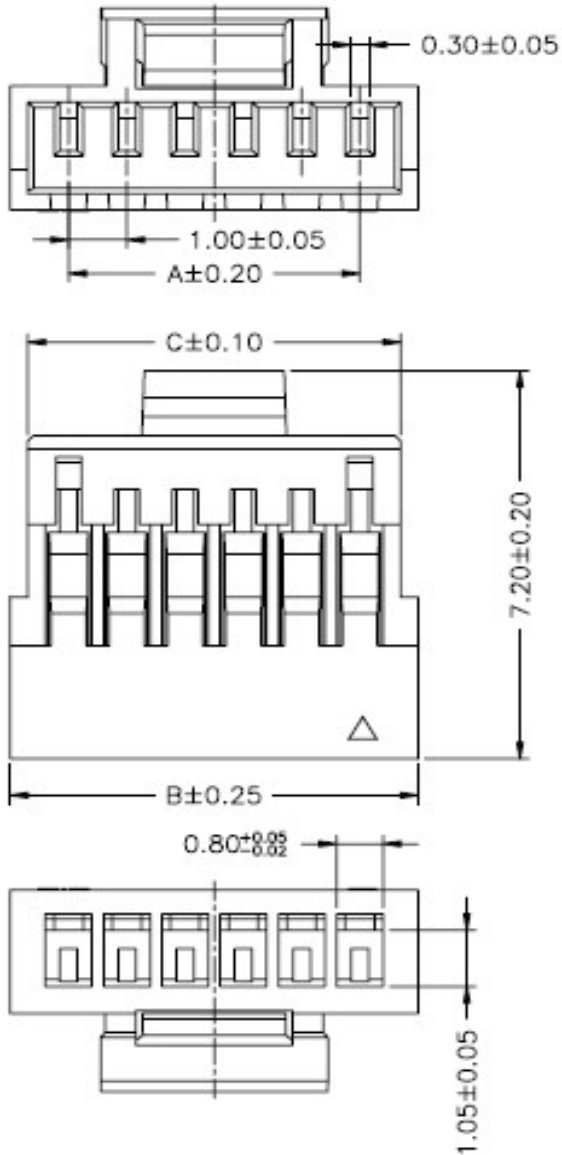


RoHS

Reach



Ordering Information & Dimension

Circuit No.	Dimensions			Circuit No.	Dimensions		
	A	B	C		A	B	C
02P	1.00	3.00	2.40	12P	11.00	13.00	12.40
03P	2.00	4.00	3.40	13P	12.00	14.00	13.40
04P	3.00	5.00	4.40	14P	13.00	15.00	14.40
05P	4.00	6.00	5.40	15P	14.00	16.00	15.40
06P	5.00	7.00	6.40	16P	15.00	17.00	16.40
07P	6.00	8.00	7.40	17P	16.00	18.00	17.40
08P	7.00	9.00	8.40	18P	17.00	19.00	18.40
09P	8.00	10.00	9.40	19P	18.00	20.00	19.40
10P	9.00	11.00	10.40	20P	19.00	21.00	20.40
11P	10.00	12.00	11.40				

Explanation of PN.

1024J H 1 XX - 3 WH

① ② ③ ④ ⑤ ⑥

- ① Series No.
- ② Connector Type : Housing
- ③ Option Type : With lock
- ④ Circuits No.
- ⑤ Insulator Material : Nylon66, UL 94-V0
- ⑥ Color : White

Specification :

- Current Rating : 1A AC,DC
- Voltage Rating : 50V AC,DC
- Temperature Range : -25°C ~ +85°C
- Contact Resistance : 20mΩ Max.
- Insulation Resistance : 100mΩ Min.
- Withstanding Voltage : 500V AC/minute
- Insulator Material : Nylon66, UL 94-V0
- Color : White

	DESCRIPTION : 1.00mm Pitch, Housing, Single row, With Lock	GENERAL TOLERANCE	
	PART NO. : 1024JH1XX-3WH	X.X ± 0.25 X.XX ± 0.15 X.XXX ± 0.05	SCALE : Free