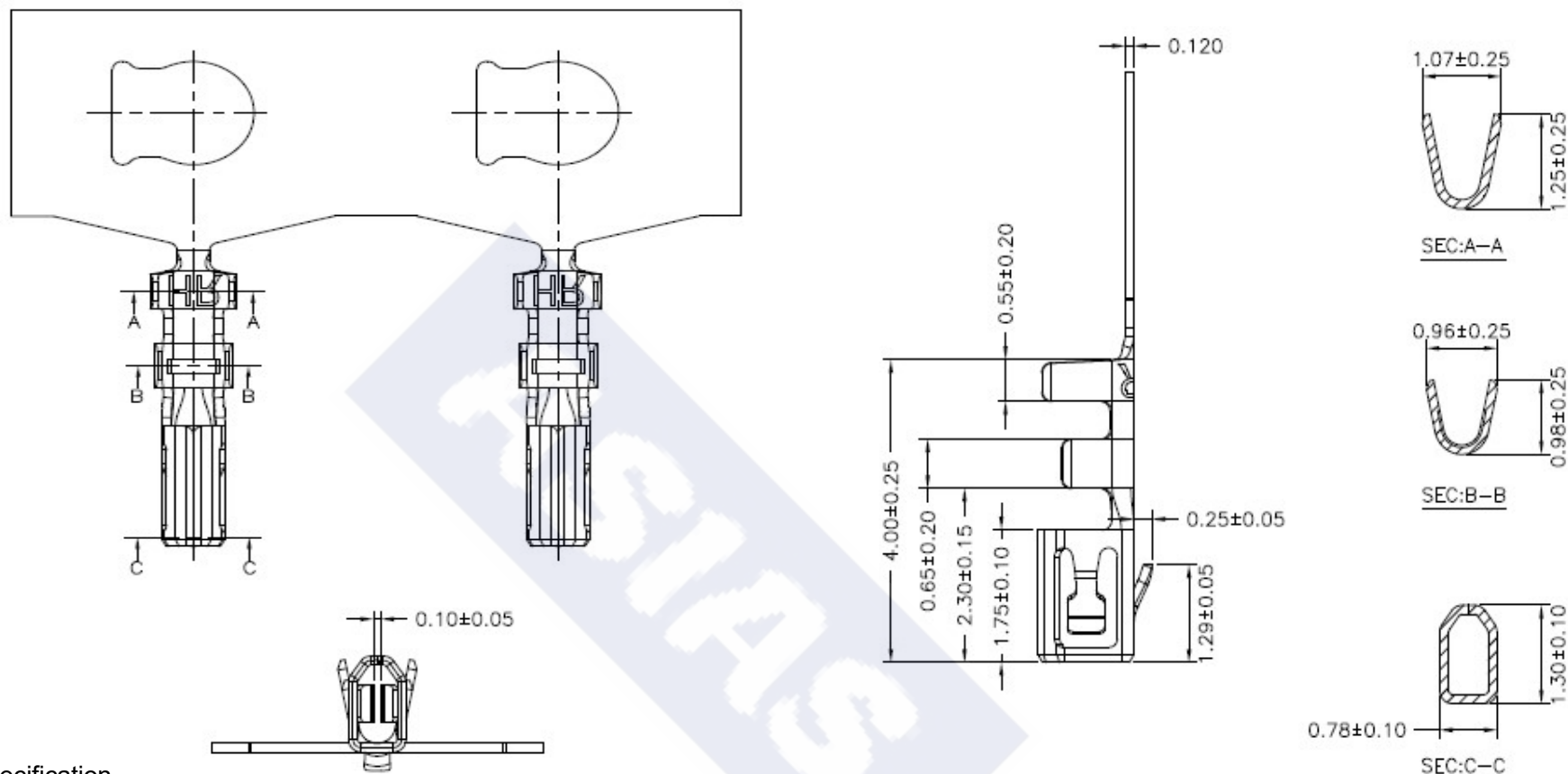


RoHS

Reach



Ordering Information & Specification

Part NO.	Wire Range	Insulation O.D.	Material	Finish	SPQ
1014JT-GP	AWG#28~AWG#32	0.80mm(max)	Phosphor Bronze	Gold-plated	15,000 pcs/reel

DESCRIPTION :
**1.00mm Pitch,
 Crimp Terminal**

PART NO. :
1014JT-GP

GENERAL TOLERANCE

X. $X \pm 0.25$
 X. $XX \pm 0.15$
 X. $XXX \pm 0.05$

SCALE : Free

