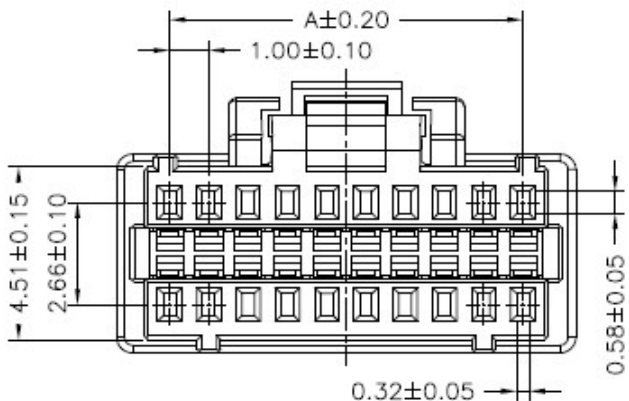
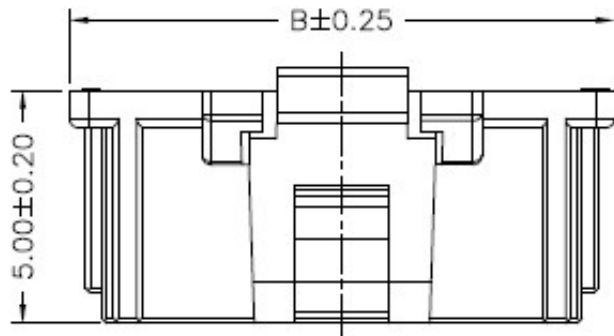
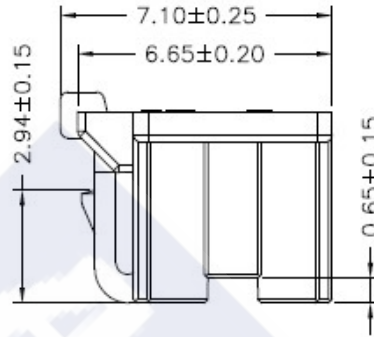
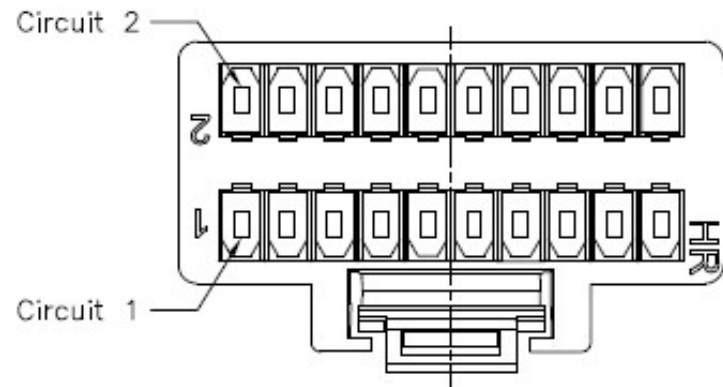


RoHS

Reach



Ordering Information & Dimension

Circuit NO.	Dimensions	
	A	C
16	7.00	9.70
20	9.00	11.70
30	14.00	16.70
32	15.00	17.70
40	19.00	21.70
50	24.00	26.70

Explanation of PN.

1014J H D XX - 3 WH

① ② ③ ④ ⑤ ⑥

- ① Series No.
- ② Connector Type : Housing
- ③ Row Type : Dual row
- ④ Circuits No.
- ⑤ Insulator Material : Nylon66, UL 94-V0
- ⑥ Color : White

Specification :

- Current Rating : 0.8A AC,DC
- Voltage Rating : 50V AC,DC
- Temperature Range : -25°C ~ +85°C
- Contact Resistance : 20mΩ Max.
- Insulation Resistance : 100mΩ Min.
- Withstanding Voltage : 250V AC/minute
- Insulator Material : Nylon66, UL 94-V0
- Color : White



DESCRIPTION :
1.00mm Pitch, Housing,
Dual row,
Without Protrusions

PART NO. :
1014JHDXX-3WH

GENERAL TOLERANCE

X.X ± 0.25
X.XX ± 0.15
X.XXX ± 0.05

SCALE : Free

