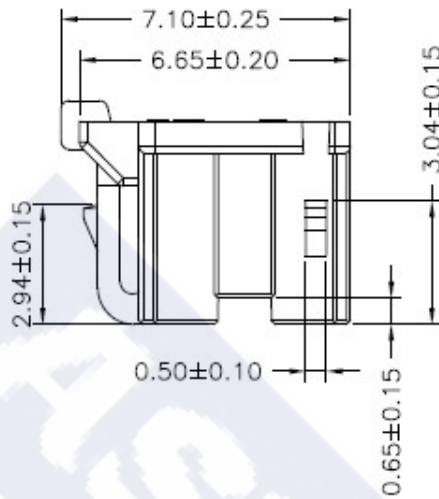
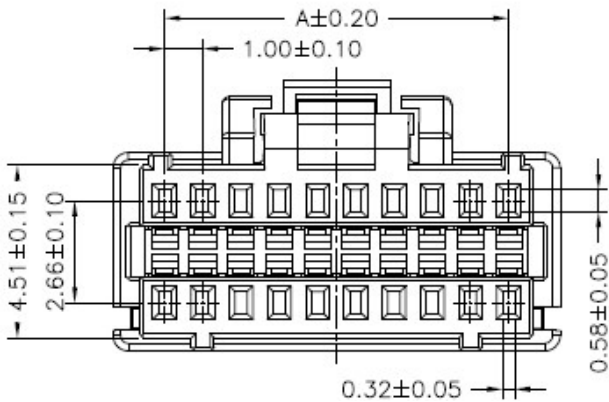
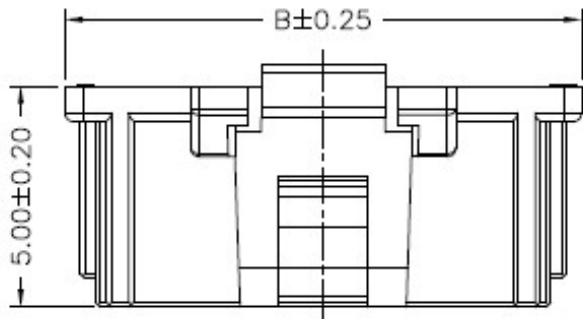
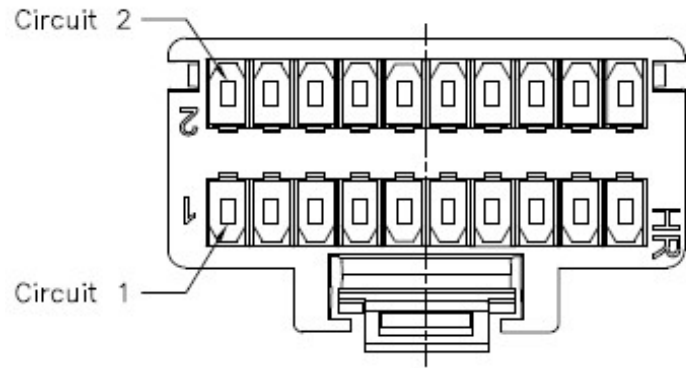


RoHS

Reach



Ordering Information & Dimension

Circuit NO.	Dimensions	
	A	C
16	7.00	9.70
20	9.00	11.70
30	14.00	16.70
32	15.00	17.70
40	19.00	21.70
50	24.00	26.70

Explanation of PN.

1014J H 1 D XX - 3 WH

① ② ③ ④ ⑤ ⑥ ⑦

- ① Series No.
- ② Connector Type : Housing
- ③ Option Type : With protrusions
- ④ Row Type : Dual Row
- ⑤ Circuits No.
- ⑥ Insulator Material : Nylon66, UL 94-V0
- ⑦ Color : White

Specification :

Current Rating : 0.8A AC,DC

Voltage Rating : 50V AC,DC

Temperature Range : -25°C ~ +85°C

Contact Resistance : 20mΩ Max.

Insulation Resistance : 100mΩ Min.

Withstanding Voltage : 250V AC/minute

Insulator Material : Nylon66, UL 94-V0

Color : White

	DESCRIPTION : 1.00mm Pitch, Housing, Dual row, With Protrusions	GENERAL TOLERANCE	
	PART NO. : 1014JH1DXX-3WH	X.X ± 0.25 X.XX ± 0.15 X.XXX ± 0.05	SCALE : Free