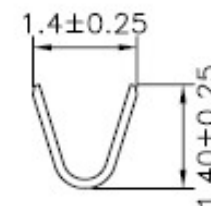
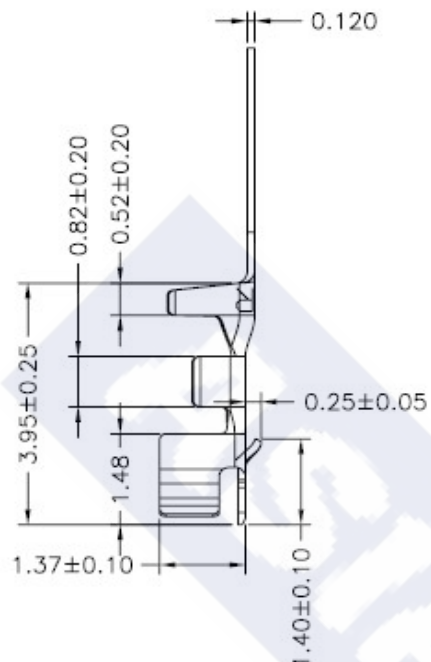
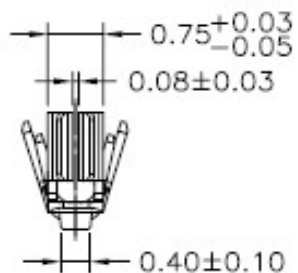
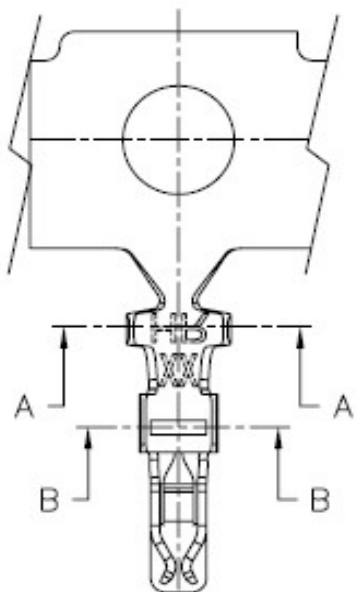
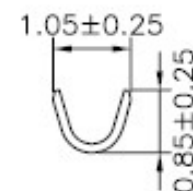


RoHS

Reach



SEC:A-A



SEC:B-B

## Ordering Information &amp; Specification

Part NO.	Wire Range	Insulation O.D.	Material	Finish	SPQ
1001JT-TP	AWG#28~AWG#32	0.80mm(max)	Phosphor Bronze	Tin-plated	15,000 pcs/reel
1001JT-GP	AWG#28~AWG#32	0.80mm(max)	Phosphor Bronze	Gold-plated	15,000 pcs/reel

DESCRIPTION :  
**1.00mm Pitch,  
 Crimp Terminal**

PART NO. :  
**1001JT-XX**

## GENERAL TOLERANCE

X.X  $\pm$  0.25  
 X.XX  $\pm$  0.15  
 X.XXX  $\pm$  0.05

SCALE : Free

