

RoHS

Reach

Explanation of PN.

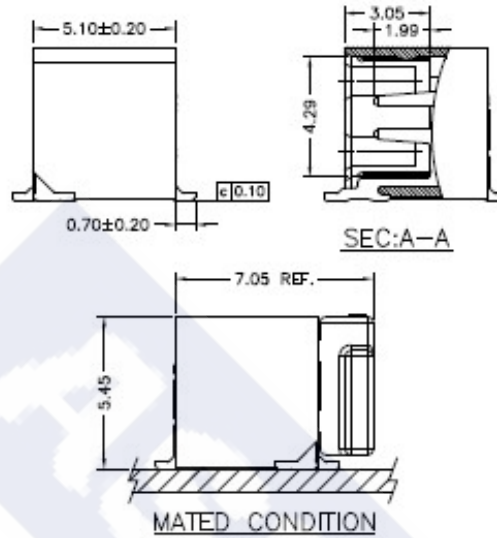
1001J R D S XX - 4 NL X X

① ② ③ ④ ⑤ ⑥ ⑦ ⑧ ⑨

- ① Series No.
- ② Connector Type : Right Angle
- ③ Row Type : Dual Row
- ④ Mounting Type : SMD
- ⑤ Circuits No.
- ⑥ Insulator Material : Nylon6T, UL 94-V0
- ⑦ Color : Natural(Beige)
- ⑧ Pin Material : 0.Matte Tin-plated ; 3.Gold-flash
- ⑨ Soldering Tab : 0.Matte Tin-plated ; 3.Gold-flash

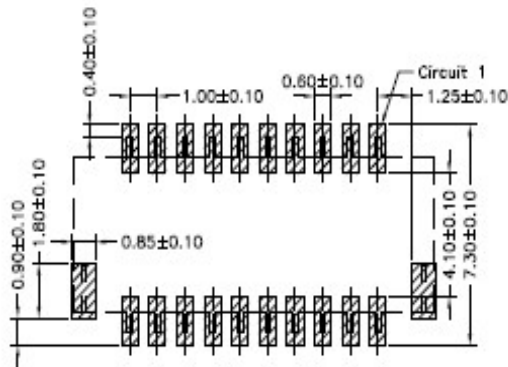
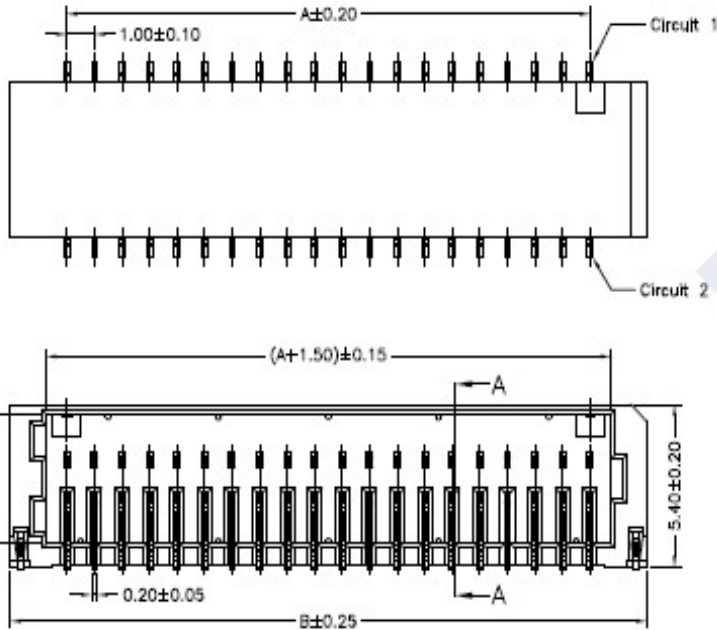
Specification :

- Current Rating : 1A AC,DC
- Voltage Rating : 50V AC,DC
- Temperature Range : -25°C ~ +85°C
- Contact Resistance : 20mΩ Max.
- Insulation Resistance : 100mΩ Min.
- Withstanding Voltage : 500V AC/minute
- Pin Material : Phosphor Bronze
- Soldering Tab : Brass
- Insulator Material : Nylon6T, UL 94-V0
- Color : Natural(Beige)



Ordering Information & Dimension

Circuit No.	Dimensions	
	A	B
2X05P	4.00	8.10
2X06P	5.00	9.10
2X08P	7.00	11.10
2X10P	9.00	13.10
2X15P	14.00	18.10
2X20P	19.00	23.10
2X25P	24.00	28.10



PCB LAYOUT

ASIAS ASIAS TECHNOLOGY CO.,LTD.

DESCRIPTION :
1.00mm Pitch,
Receptacle, Dual Row, SMD,
Right Angle

PART NO. :
1001JRDSXX-4NLXX

GENERAL TOLERANCE

X.X ± 0.25
X.XX ± 0.15
X.XXX ± 0.05

SCALE : Free

