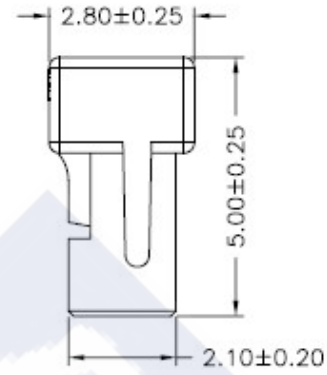
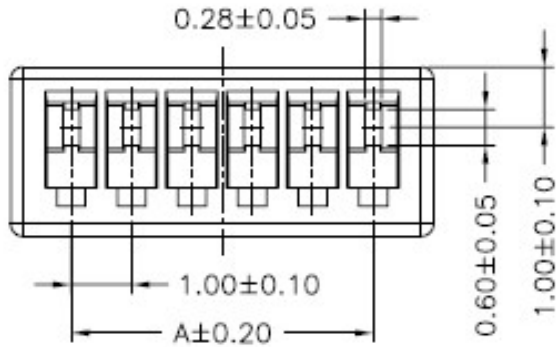


RoHS

Reach



## Ordering Information &amp; Dimension

Circuit NO.	Dimensions			Circuit NO.	Dimensions		
	A	B	C		A	B	C
02	1.00	3.00	2.35	12	11.00	13.00	12.35
03	2.00	4.00	3.35	13	12.00	14.00	13.35
04	3.00	5.00	4.35	14	13.00	15.00	14.35
05	4.00	6.00	5.35	15	14.00	16.00	15.35
06	5.00	7.00	6.35	16	15.00	17.00	16.35
07	6.00	8.00	7.35	17	16.00	18.00	17.35
08	7.00	9.00	8.35	18	17.00	19.00	18.35
09	8.00	10.00	9.35	19	18.00	20.00	19.35
10	9.00	11.00	10.35	20	19.00	21.00	20.35
11	10.00	12.00	11.35	24	23.00	25.00	24.35

Specification :

Current Rating : 1A AC,DC

Voltage Rating : 50V AC,DC

Temperature Range : -25°C ~ +85°C

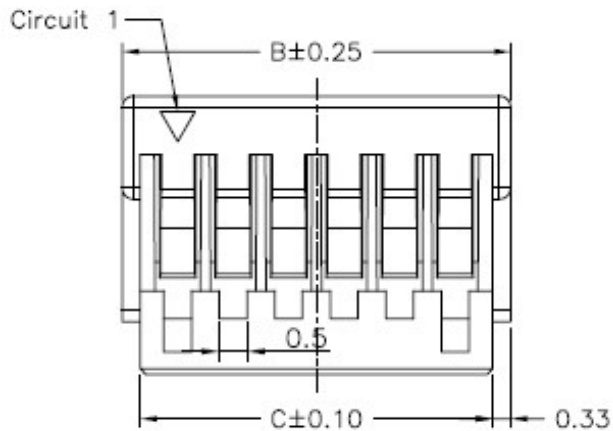
Contact Resistance : 20mΩ Max.

Insulation Resistance : 100mΩ Min.

Withstanding Voltage : 500V AC/minute

Insulator Material : Nylon66, UL 94-V0

Color : White



Explanation of PN.

1001J H XX - 3 WH

① ② ③ ④ ⑤

- ① Series No.
- ② Connector Type : Housing
- ③ Circuits No.
- ④ Insulator Material : Nylon66, UL 94-V0
- ⑤ Color : White

DESCRIPTION :  
1.00mm Pitch,  
Housing, Single Row,  
Without Protrusions

PART NO. :  
1001JHXX-3WH

## GENERAL TOLERANCE

X.X ± 0.25  
X.XX ± 0.15  
X.XXX ± 0.05

SCALE : Free

