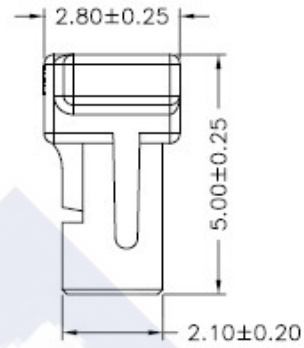
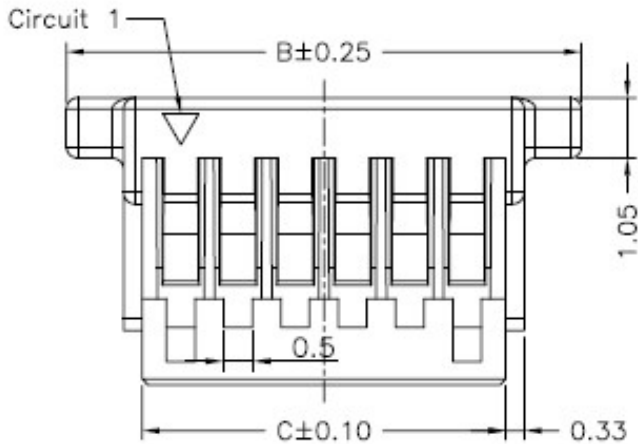
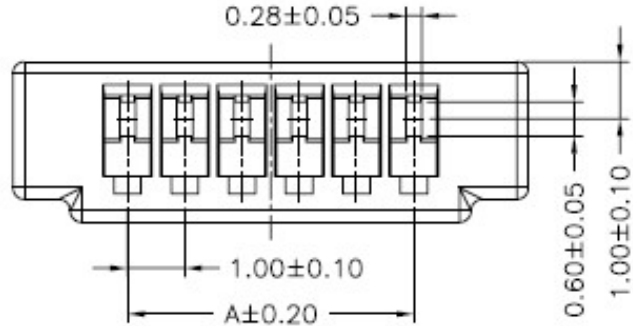


RoHS

Reach



Ordering Information & Dimension

Circuit NO.	Dimensions			Circuit NO.	Dimensions		
	A	B	C		A	B	C
02	1.00	5.00	2.35	12	11.00	15.00	12.35
03	2.00	6.00	3.35	13	12.00	16.00	13.35
04	3.00	7.00	4.35	14	13.00	17.00	14.35
05	4.00	8.00	5.35	15	14.00	18.00	15.35
06	5.00	9.00	6.35	16	15.00	19.00	16.35
07	6.00	10.00	7.35	17	16.00	20.00	17.35
08	7.00	11.00	8.35	18	17.00	21.00	18.35
09	8.00	12.00	9.35	19	18.00	22.00	19.35
10	9.00	13.00	10.35	20	19.00	23.00	20.35
11	10.00	14.00	11.35	24	23.00	27.00	24.35

Explanation of PN.

1001J H 1 XX - 3 WH

① ② ③ ④ ⑤ ⑥

- ① Series No.
- ② Connector Type : Housing
- ③ Option Type : With protrusions
- ④ Circuits No.
- ⑤ Insulator Material : Nylon66, UL 94-V0
- ⑥ Color : White

Specification :

Current Rating : 1A AC,DC

Voltage Rating : 50V AC,DC

Temperature Range : -25°C ~ +85°C

Contact Resistance : 20mΩ Max.

Insulation Resistance : 100mΩ Min.

Withstanding Voltage : 500V AC/minute

Insulator Material : Nylon66, UL 94-V0

Color : White

DESCRIPTION :
1.00mm Pitch, Housing,
Single Row,
With Protrusions

PART NO. :
1001JH1XX-3WH

GENERAL TOLERANCE

X.X ± 0.25
X.XX ± 0.15
X.XXX ± 0.05

SCALE : Free

