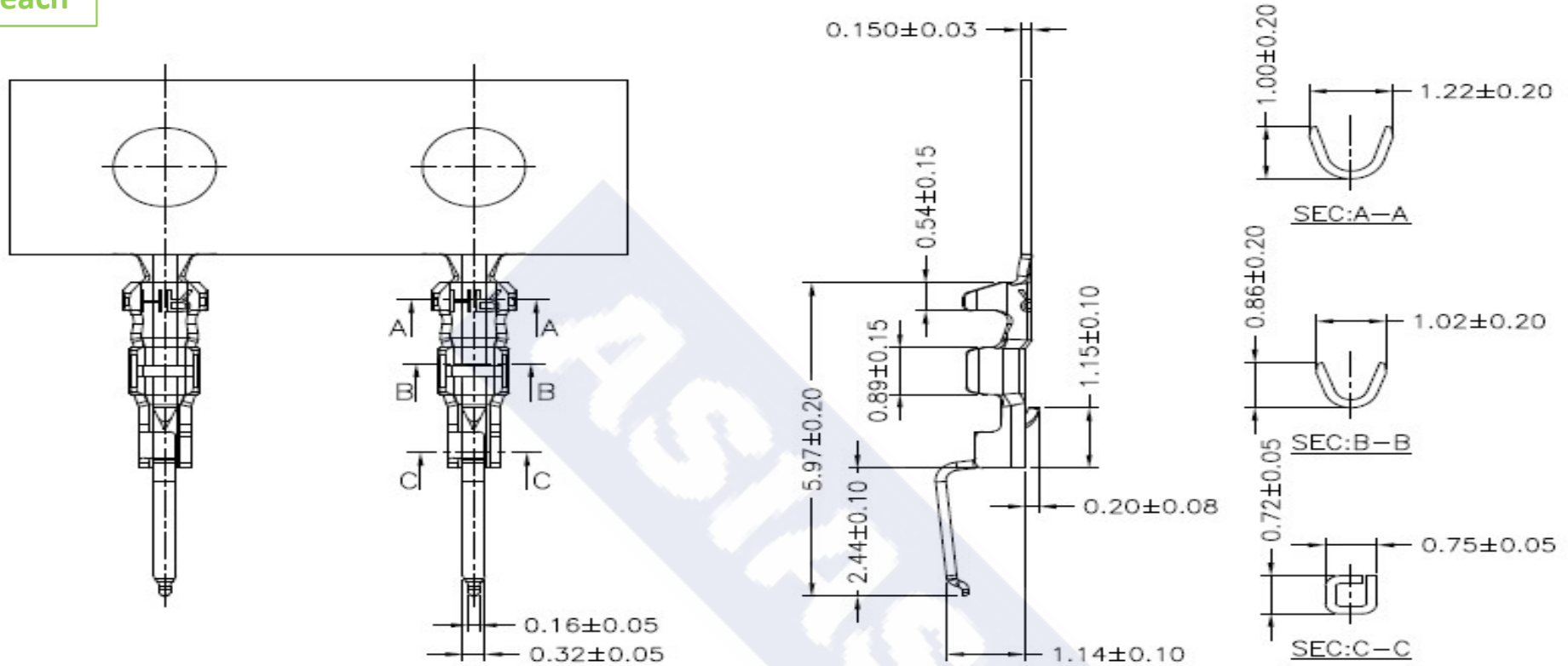


RoHS

Reach



Ordering Information & Specification

Part NO.	Wire Range	Insulation O.D.	Material	Finish	SPQ
0505JT-GP-B	AWG#30~AWG#36	0.75mm(max)	Phosphor Bronze	Gold-plated	15,000 pcs/reel

ASIAS ASIAS TECHNOLOGY CO.,LTD.

DESCRIPTION :
**0.50mm Pitch,
 Crimp Terminal, B Type**

PART NO. :
0505JT-GP-B

GENERAL TOLERANCE

X.X ± 0.25
 X.XX ± 0.15
 X.XXX ± 0.05

SCALE : Free

