

RoHS

Reach

Explanation of PN.

0505J H XX - 1 BK

① ② ③ ④ ⑤

- ① Series No.
- ② Connector Type : Housing
- ③ Circuits No.
- ④ Insulator Material : Nylon46, UL 94-V0
- ⑤ Color : Black

Specification :

Current Rating : 0.7A AC,DC

Voltage Rating : 100V AC,DC

Temperature Range : -25°C ~ +85°C

Contact Resistance : 50mΩ Max.

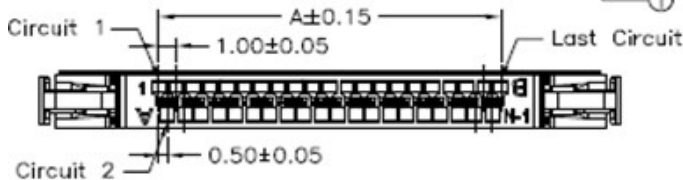
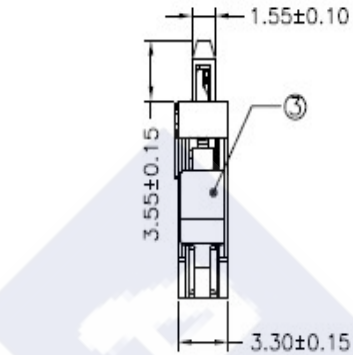
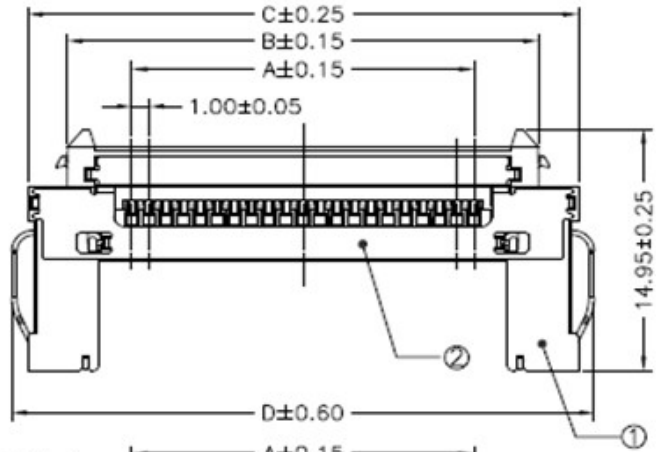
Insulation Resistance : 100mΩ Min.

Withstanding Voltage : 500V AC/minute

Shell : Stainless

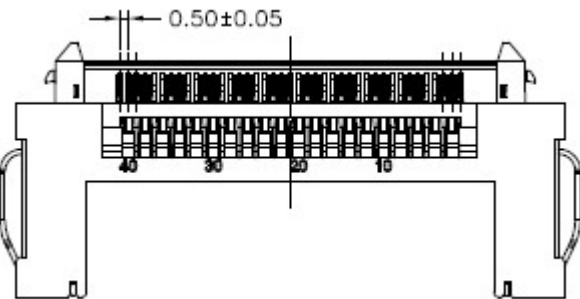
Lock Lever : Stainless


Insulator Material : Nylon46, UL 94-V0



Ordering Information & Dimension

Circuit No.	Dimensions			
	A	B	C	D
41P	20.00	27.54	32.20	34.34
51P	25.00	32.54	37.20	39.34



	DESCRIPTION : 0.50mm Pitch, Housing, Single row, Lock Type	GENERAL TOLERANCE	
	PART NO. : 0505JHXX-1BK	X.X ± 0.25 X.XX ± 0.15 X.XXX ± 0.05	SCALE : Free 