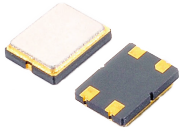


AX70 SEAM SEALED CERAMIC SMD CRYSTAL

7.0 x 5.0 x 1.3 mm



APPLICATIONS:

Wireless Applications
Communications, Computers
LED TVs, Test Equipment

FEATURES:

4 pad 7X5 Ceramic SMD package
AT-Cut Fundamental
Tight Tolerance and Stability Available
Pb free/ RoHS Compliant

PART NUMBERING GUIDE

AX70	—
Frequency	Oscillation Mode	Load Capacitance	Freq. Tolerance	Freq. Stability	Operating Temp.	ESR		
(MHz)	F: Fundamental T: 3rd Overtone	Please specify (CL) value in pf. SR for series.	10: ± 10ppm 15: ± 15ppm 20: ± 20ppm 25: ± 25ppm 30: ± 30ppm 50: ± 50ppm	10: ± 10ppm 15: ± 15ppm 20: ± 20ppm 25: ± 25ppm 30: ± 30ppm 50: ± 50ppm	A1: -10°C to +60°C A2: -10°C to +70°C A3: -20°C to +70°C A4: -20°C to +85°C A5: -30°C to +85°C A6: -40°C to +85°C	Please refer to below ESR table.		

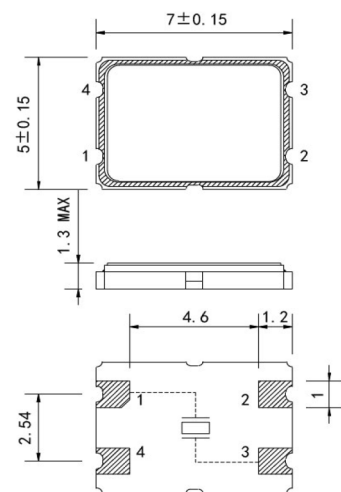
ELECTRICAL CHARACTERISTICS

PARAMETERS	SYMBOL	SPECIFICATION
Frequency Range	Fo	80.000 ~ 125.000 MHz
Operation Mode		Fundamental(AT Cut): 6.000 ~ 35.000MHz 3rd Overtone(AT Cut): 35.000 ~ 125.000MHz
Operating Temperature	To	- 20 to + 70°C, -40 to +85°C, or specify
Storage Temperature		- 40°C to + 85°C
Frequency Tolerance at +25°C	Δf/F	± 15 ppm, ± 30 ppm, ± 50 ppm or specify
Frequency Stability Over Operating Temperature Range	Δf/F	± 20 ppm, ± 30 ppm, ± 50 ppm or specify
Equivalent Series Resistance	R1	Please find below Table
Shunt Capacitance	C0	7pF max.
Load Capacitance	CL	series, 18pF(Standard), or specify
Drive Level	DL	300μW max., 100μW typical
Aging at 25°C	Δf/F	± 3ppm max.(first year)
Insulation Resistance		500MΩ min at 100Vdc

EQUIVALENT SERIES RESISTANCE(ESR)Table

Frequency Range(MHz)	ESR(Ω) max.
Fundamental	
6.000 ~ 6.999	120
7.000 ~ 9.999	70
10.000 ~ 11.999	60
12.000 ~ 14.999	60
15.000 ~ 19.999	50
20.000 ~ 34.999	40
3rd Overtone	
35.000 ~ 43.999	80
44.000 ~ 49.999	60
50.000 ~ 79.999	60
80.000 ~ 125.000	60

OUTLINE DRAWING: mm



If you require further assistance, please feel free contact us at antonio@asiastek.com

ASIAS TECHNOLOGY CO.,LTD. www.asiastek.com

Tel: +886 02- 2943 9330