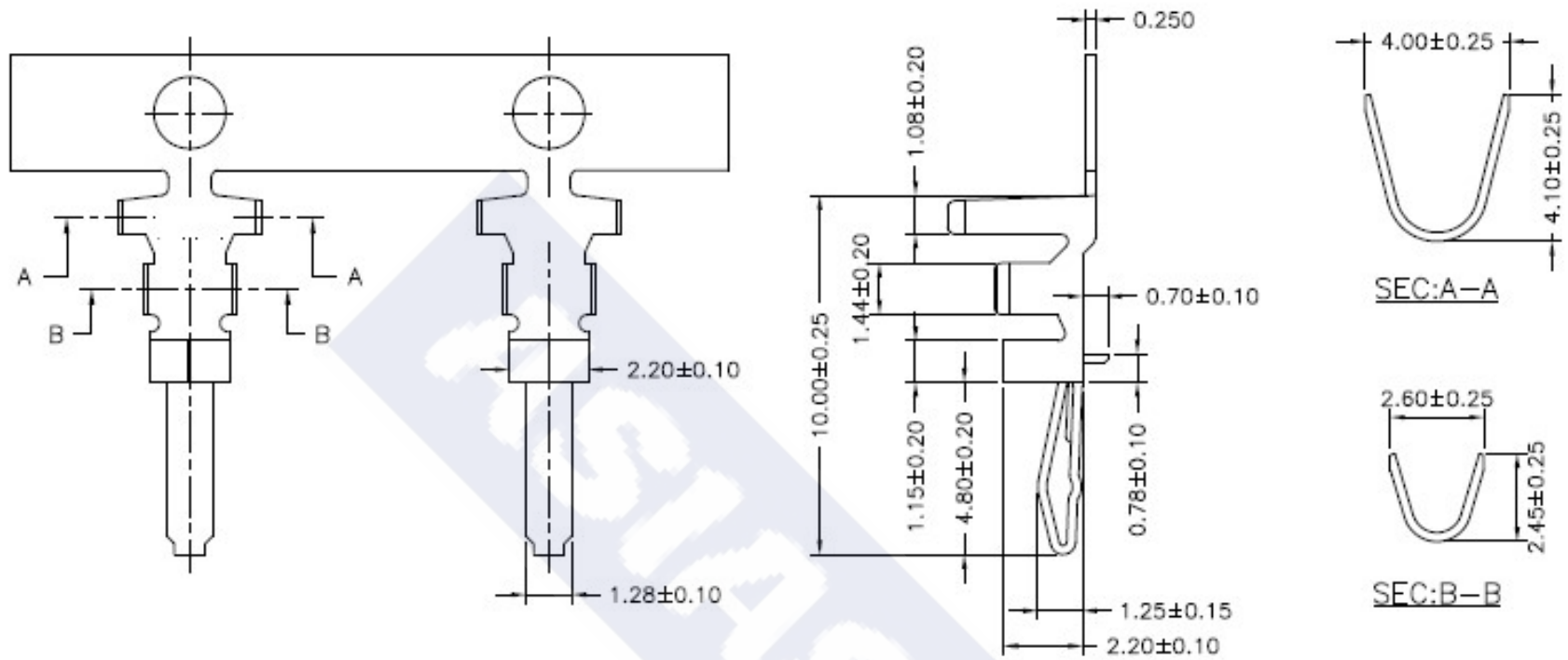


RoHS

Reach



## Ordering Information &amp; Specification

Part NO.	Wire Range	Insulation O.D.	Material	Finish	SPQ
3965JTV-TP	AWG#18~AWG#22	3.00mm(max)	Phosphor Bronze	Tin-plated	5,000 pcs/reel

\*\* Stamping before plating

DESCRIPTION :  
**3.96mm Pitch,  
 Crimp Terminal, V Type**

PART NO. :  
**3965JTV-TP**

## GENERAL TOLERANCE

X.X ± 0.25  
 X.XX ± 0.15  
 X.XXX ± 0.05

SCALE : Free

