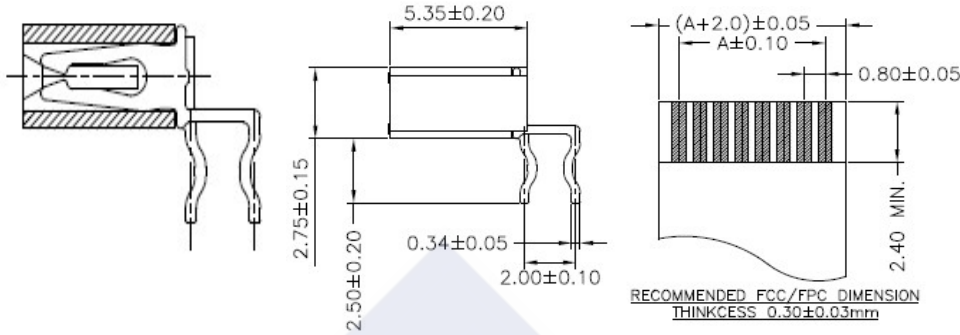
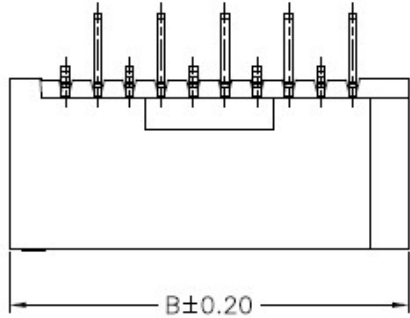


RoHS

Reach



Explanation of PN.

1004J R XX - 6 BK 1

① ② ③ ④ ⑤ ⑥

- ① Series No.
- ② Connector Type : Right Angle
- ③ Circuits No.
- ④ Insulator Material : LCP, UL 94-V0
- ⑤ Color : Black
- ⑥ Contact Plating : Bright Tin-plated,

Ordering Information & Dimension

Circuit NO.	Dimensions		Circuit NO.	Dimensions		Circuit NO.	Dimensions	
	A	B		A	B		A	B
04	3.00	6.50	16	15.00	18.50	28	27.00	30.50
05	4.00	7.50	17	16.00	19.50	29	28.00	31.50
06	5.00	8.50	18	17.00	20.50	30	29.00	32.50
07	6.00	9.50	19	18.00	21.50	31	30.00	33.50
08	7.00	10.50	20	18.00	22.50	32	31.00	34.50
09	8.00	11.50	21	20.00	23.50	33	32.00	35.50
10	9.00	12.50	22	21.00	24.50	34	33.00	36.50
11	10.00	13.50	23	22.00	25.50	35	34.00	37.50
12	11.00	14.50	24	23.00	26.50	36	35.00	38.50
13	12.00	15.50	25	24.00	27.50			
14	13.00	16.50	26	25.00	28.50			
15	14.00	17.50	27	26.00	29.50			

Specification :

Current Rating : 0.5A AC,DC

Voltage Rating : 50V AC,DC

Temperature Range : -25°C ~ +85°C

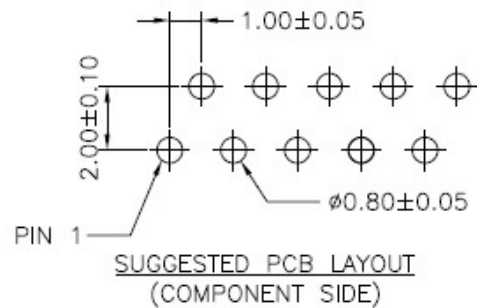
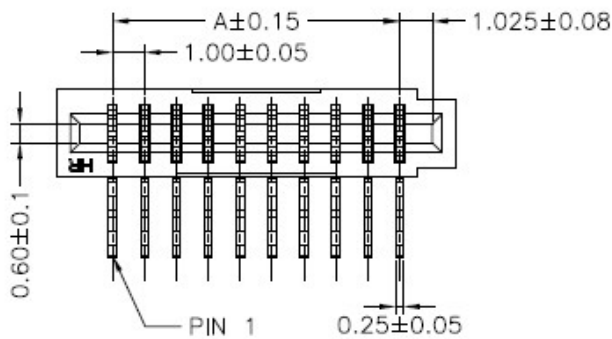
Contact Resistance : 30mΩ Max.

Insulation Resistance : 500mΩ Min.

Withstanding Voltage : 500V AC/minute

Pin Material : Phosphor Bronze

Insulator Material : LCP, UL 94-V0



	DESCRIPTION : 1.00mm Pitch, FPC, Non ZIF, DIP, Right Angle	GENERAL TOLERANCE	
	PART NO. : 1004JRXX-6BK1	X.X ± 0.25 X.XX ± 0.15 X.XXX ± 0.05	SCALE : Free