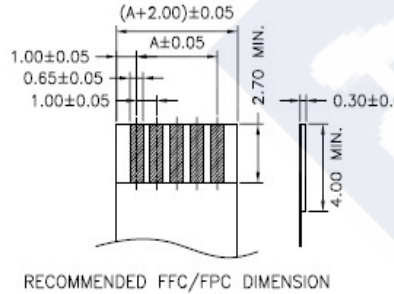
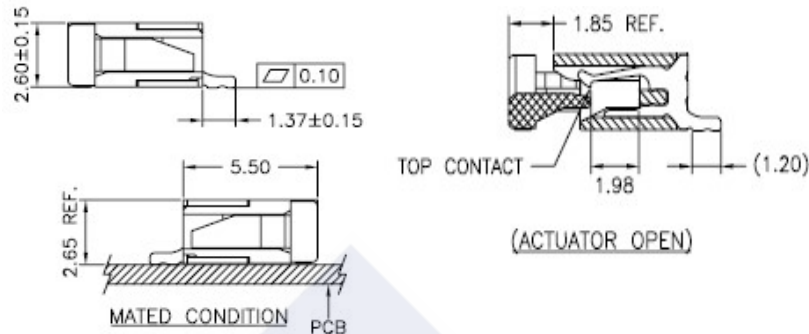


RoHS

Reach



Ordering Information & Dimension

Circuit No.	Dimensions			Circuit No.	Dimensions		
	A	B	C		A	B	C
04	3.00	11.00	5.10	20	19.00	27.00	21.10
05	4.00	12.00	6.10	21	20.00	28.00	22.10
06	5.00	13.00	7.10	22	21.00	29.00	23.10
07	6.00	14.00	8.10	23	22.00	30.00	24.10
08	7.00	15.00	9.10	24	23.00	31.00	25.10
09	8.00	16.00	10.10	25	24.00	32.00	26.10
10	9.00	17.00	11.10	26	25.00	33.00	27.10
11	10.00	18.00	12.10	27	26.00	34.00	28.10
12	11.00	19.00	13.10	28	27.00	35.00	29.10
13	12.00	20.00	14.10	29	28.00	36.00	30.10
14	13.00	21.00	15.10	30	29.00	37.00	31.10
15	14.00	22.00	16.10	31	30.00	38.00	32.10
16	15.00	23.00	17.10	32	31.00	39.00	33.10
17	16.00	24.00	18.10	33	32.00	40.00	34.10
18	17.00	25.00	19.10	34	33.00	41.00	35.10
19	18.00	26.00	20.10				

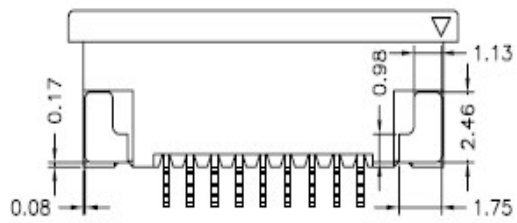
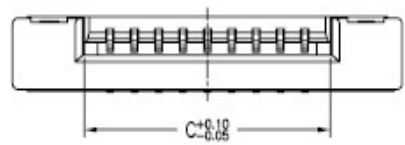
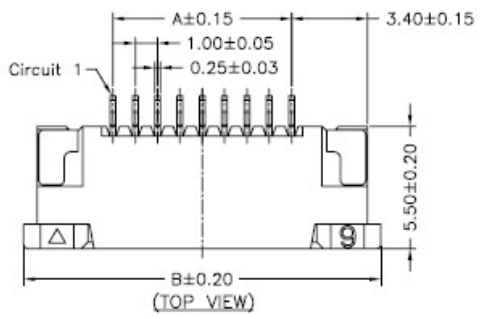
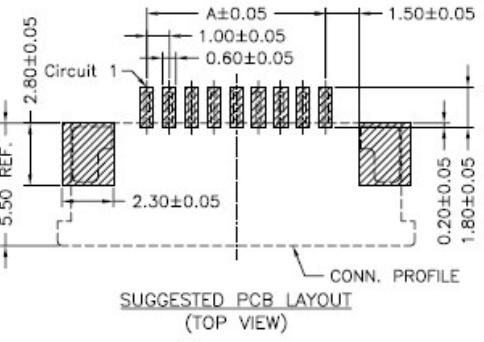
Explanation of PN.

1003J R T S XX - 6 NL X X
 ① ② ③ ④ ⑤ ⑥ ⑦ ⑧ ⑨

- ① Series No.
- ② Connector Type : Right Angle
- ③ Option Type : Top Contact Type
- ④ Mounting Type : SMD
- ⑤ Circuits No.
- ⑥ Insulator Material : Housing : LCP, UL 94-V0
Actuator : Nylon6T, UL 94-V0
- ⑦ Color : Housing : Natural(Beige)
Actuator : Black
- ⑧ Contact Plating : 0.Matte Tin-plated ; 2.Gold-flash
- ⑨ Soldering Tab : 0.Matte Tin-plated ; 2.Gold-flash

Specification :

- Current Rating : 0.5A AC,DC
- Voltage Rating : 50V AC,DC
- Temperature Range : -55°C ~ +85°C
- Contact Resistance : 30mΩ Max.
- Insulation Resistance : 500mΩ Min.
- Withstanding Voltage : 500V AC/minute
- Pin Material : Phosphor Bronze
- Soldering Tab : Brass
- Insulator Material : Housing : LCP, UL 94-V0
Actuator : Nylon6T, UL 94-V0



	DESCRIPTION : 1.00mm Pitch, FPC, ZIF, SMD, Right Angle, Top Contact Type	GENERAL TOLERANCE	
	PART NO. : 1003JRTSXX-6NLXX	X.X ± 0.25 X.XX ± 0.15 X.XXX ± 0.05	SCALE : Free