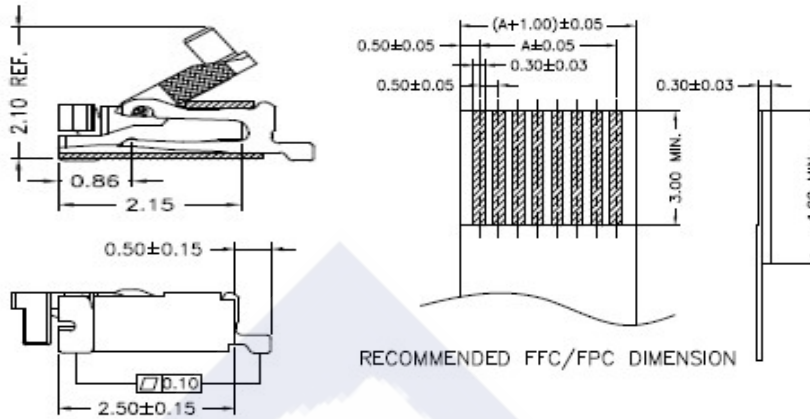
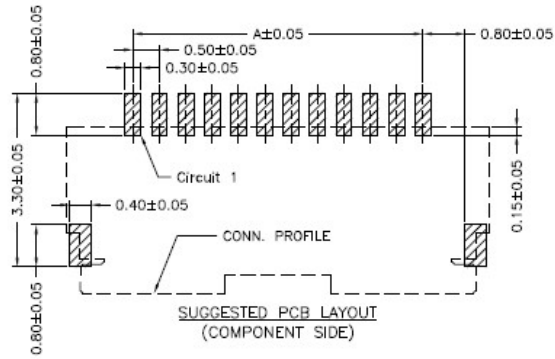


RoHS

Reach



Ordering Information & Dimension

Circuit No.	Dimensions			Circuit No.	Dimensions		
	A	B	C		A	B	C
04P	1.50	4.00	2.57	17P	8.00	10.50	9.07
06P	2.50	5.00	3.57	18P	8.50	11.00	9.57
08P	3.50	6.00	4.57	20P	9.50	12.00	10.57
09P	4.00	6.50	5.07	22P	10.50	13.00	11.57
10P	4.50	7.00	5.57	24P	11.50	14.00	12.57
11P	5.00	7.50	6.07	26P	12.50	15.00	13.57
12P	5.50	8.00	6.57	27P	13.00	15.50	14.07
13P	6.00	8.50	7.07	30P	14.50	17.00	15.57
14P	6.50	9.00	7.57	36P	17.50	20.00	18.57
15P	7.00	9.50	8.07	40P	19.50	22.00	20.57
16P	7.50	10.00	8.57	50P	24.50	27.00	25.57

Explanation of PN.

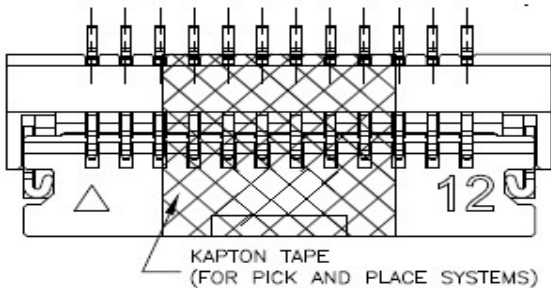
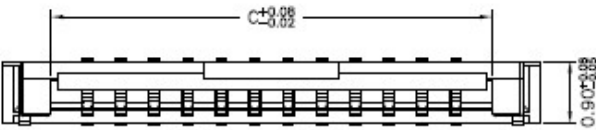
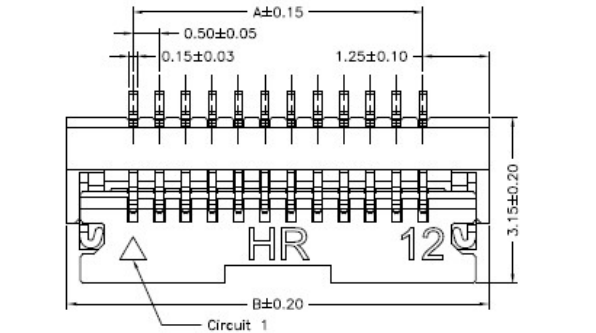
0504J R B S XX - 6 NL X X

① ② ③ ④ ⑤ - ⑥ ⑦ ⑧ ⑨

- ① Series No.
- ② Connector Type : Right Angle
- ③ Option Type : Bottom Contact Type
- ④ Mounting Type : SMD
- ⑤ Circuits No.
- ⑥ Insulator Material : Housing : LCP, UL 94-V0
Actuator : Nylon6T, UL 94-V0
- ⑦ Color : Housing : Natural(Beige)
Actuator : Black
- ⑧ Contact Plating : 0.Matte Tin-plated ; 2.Gold-flash
- ⑨ Soldering Tab : 0.Matte Tin-plated ; 2.Gold-flash

Specification :

- Current Rating : 0.5A AC,DC
- Voltage Rating : 50V AC,DC
- Temperature Range : $-25^{\circ}\text{C} \sim +85^{\circ}\text{C}$
- Contact Resistance : $30\text{m}\Omega$ Max.
- Insulation Resistance : $100\text{m}\Omega$ Min.
- Withstanding Voltage : 150V AC/minute
- Pin Material : Phosphor Bronze
- Soldering Tab : Phosphor Bronze
- Insulator Material : Housing : LCP, UL 94-V0
Actuator : Nylon6T, UL 94-V0



	DESCRIPTION : 0.50mm Pitch, FPC, ZIF, SMD, Right Angle, Bottom Contact Type	GENERAL TOLERANCE	
	PART NO. : 0504JRBSXX-6NLXX	X.X ± 0.25 X.XX ± 0.15 X.XXX ± 0.05	SCALE : Free