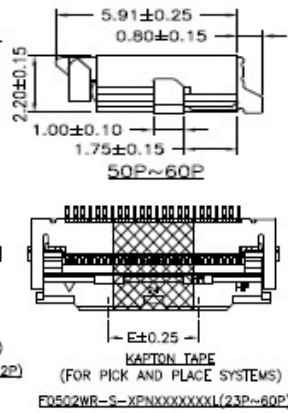
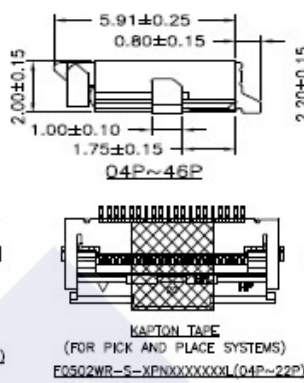
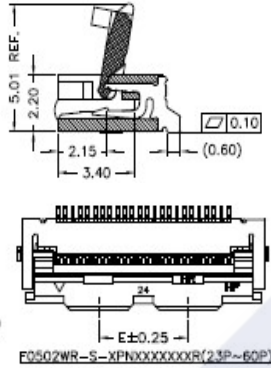
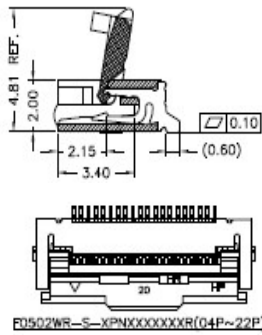
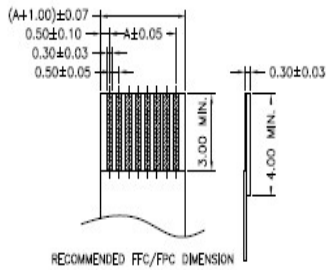


RoHS Reach



Explanation of PN.

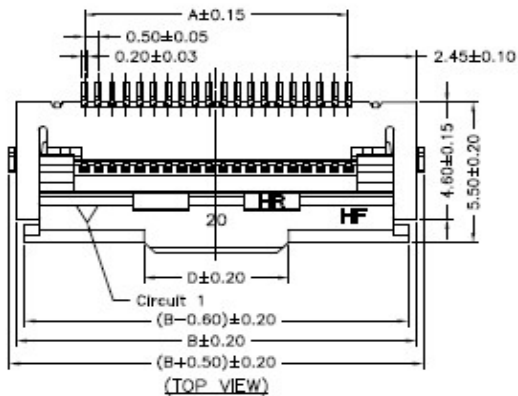
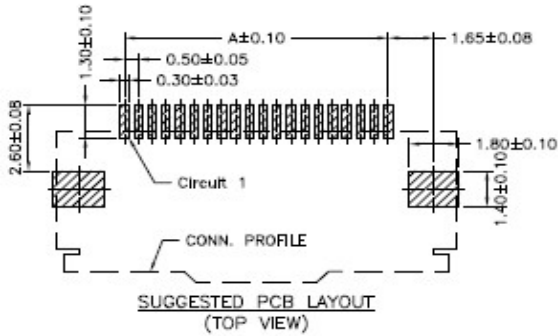
0502J R B S XX - 6 NL X X

① ② ③ ④ ⑤ - ⑥ ⑦ ⑧ ⑨

- ① Series No.
- ② Connector Type : Right Angle
- ③ Option Type : Bottom Contact Type
- ④ Mounting Type : SMD
- ⑤ Circuits No.
- ⑥ Insulator Material : Housing : LCP, UL 94-V0
Cover : LCP, UL 94-V0
- ⑦ Color : Housing : Natural(Beige)
Actuator : Black
- ⑧ Contact Plating : 0.Matte Tin-plated ; 2.Gold-flash
- ⑨ Soldering Tab : 0.Matte Tin-plated ; 2.Gold-flash

Ordering Information & Dimension

Circuit No.	Dimensions					Circuit No.	Dimensions				
	A	B	C	D	E		A	B	C	D	E
04P	1.50	6.40	2.60	2.20		27P	13.00	17.90	14.10	5.20	7.00
06P	2.50	7.40	3.60	2.70		28P	13.50	18.40	14.60	5.20	7.00
07P	3.00	7.90	4.10	2.70		29P	14.00	18.90	15.10	5.20	7.50
08P	3.50	8.40	4.60	2.70		30P	14.50	19.40	15.60	5.20	7.50
09P	4.00	8.90	5.10	2.70		31P	15.00	19.90	16.10	5.20	8.00
10P	4.50	9.40	5.60	4.70		32P	15.50	20.40	16.60	5.20	8.00
11P	5.00	9.90	6.10	4.70		33P	16.00	20.90	17.10	5.20	8.50
12P	5.50	10.40	6.60	4.70		34P	16.50	21.40	17.60	5.20	9.00
13P	6.00	10.90	7.10	4.70		35P	17.00	21.90	18.10	5.20	9.00
14P	6.50	11.40	7.60	4.70		36P	17.50	22.40	18.60	5.20	9.00
15P	7.00	11.90	8.10	5.20		37P	18.00	22.90	19.10	5.20	9.50
16P	7.50	12.40	8.60	5.20		38P	18.50	23.40	19.60	5.20	10.00
17P	8.00	12.90	9.10	5.20		39P	19.00	23.90	20.10	5.20	10.50
18P	8.50	13.40	9.60	5.20		40P	19.50	24.40	20.60	5.20	13.50
19P	9.00	13.90	10.10	5.20		42P	20.50	25.40	21.60	5.20	14.50
20P	9.50	14.40	10.60	5.20		45P	22.00	26.90	23.10	5.20	14.30
21P	10.00	14.90	11.10	5.20		46P	22.50	27.40	23.60	5.20	14.30
22P	10.50	15.40	11.60	5.20		50P	24.50	29.40	25.60	5.20	6.50
23P	11.00	15.90	12.10	4.70	6.00	54P	26.50	31.40	27.60	5.20	8.00
24P	11.50	16.40	12.60	4.70	6.00	55P	27.00	31.90	28.10	5.20	8.00
25P	12.00	16.90	13.10	4.70	6.00	60P	29.50	34.40	30.60	5.20	8.00
26P	12.50	17.40	13.60	5.20	6.50						



DESCRIPTION :
0.50mm Pitch,
FPC, ZIF, SMD, Right Angle,
Bottom Contact Type

PART NO. :
0502JRBSXX-6NLXX

GENERAL TOLERANCE

X.X ± 0.25
X.XX ± 0.15
X.XXX ± 0.05

SCALE : Free

