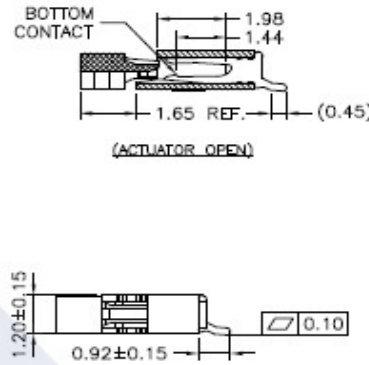
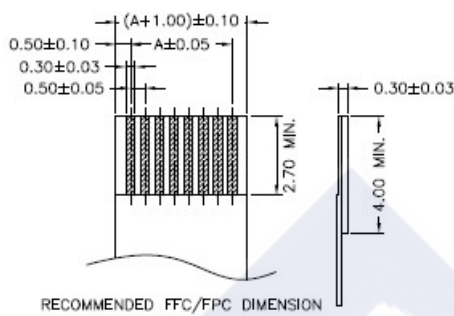
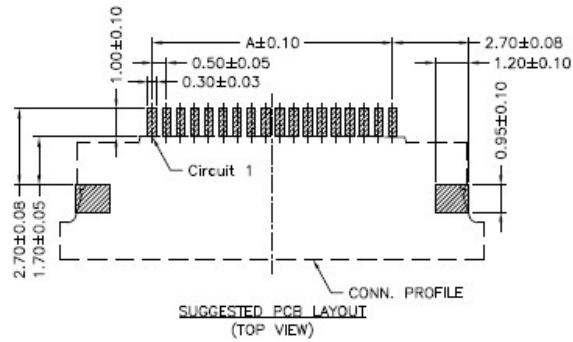


RoHS

Reach

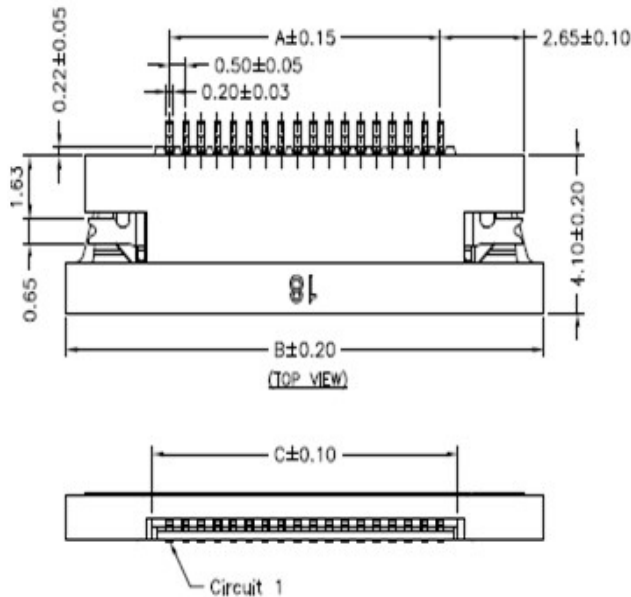


Explanation of PN.

**0501J R B S XX - 6 NL X X**

- ① Series No.
- ② Connector Type : Right Angle
- ③ Option Type : Bottom Contact Type
- ④ Mounting Type : SMD
- ⑤ Circuits No.
- ⑥ Insulator Material : Housing : LCP, UL 94-V0  
Actuator : Nylon6T, UL 94-V0
- ⑦ Color : Housing : Natural(Beige)  
Actuator : Black
- ⑧ Contact Plating : 0.Matte Tin-plated ; 2.Gold-flash
- ⑨ Soldering Tab : 0.Matte Tin-plated ; 2.Gold-flash

Ordering Information & Dimension



Circuit No.	Dimensions			Circuit No.	Dimensions			Circuit No.	Dimensions		
	A	B	C		A	B	C		A	B	C
04P	1.50	8.00	2.60	20P	9.50	16.00	10.60	36P	17.50	24.00	18.60
05P	2.00	8.50	3.10	21P	10.00	16.50	11.10	37P	18.00	24.50	19.10
06P	2.50	9.00	3.60	22P	10.50	17.00	11.60	38P	18.50	25.00	19.60
07P	3.00	9.50	4.10	23P	11.00	17.50	12.10	39P	19.00	25.50	20.10
08P	3.50	10.00	4.60	24P	11.50	18.00	12.60	40P	19.50	26.00	20.60
09P	4.00	10.50	5.10	25P	12.00	18.50	13.10	41P	20.00	26.50	21.10
10P	4.50	11.00	5.60	26P	12.50	19.00	13.60	42P	20.50	27.00	21.60
11P	5.00	11.50	6.10	27P	13.00	19.50	14.10	43P	21.00	27.50	22.10
12P	5.50	12.00	6.60	28P	13.50	20.00	14.60	44P	21.50	28.00	22.60
13P	6.00	12.50	7.10	29P	14.00	20.50	15.10	45P	22.00	28.50	23.10
14P	6.50	13.00	7.60	30P	14.50	21.00	15.60	46P	22.50	29.00	23.60
15P	7.00	13.50	8.10	31P	15.00	21.50	16.10	47P	23.00	29.50	24.10
16P	7.50	14.00	8.60	32P	15.50	22.00	16.60	48P	23.50	30.00	24.60
17P	8.00	14.50	9.10	33P	16.00	22.50	17.10	49P	24.00	30.50	25.10
18P	8.50	15.00	9.60	34P	16.50	23.00	17.60	50P	24.50	31.00	25.60
19P	9.00	15.50	10.10	35P	17.00	23.50	18.10				

Specification :

- Current Rating : 0.5A AC,DC
- Voltage Rating : 50V AC,DC
- Temperature Range : -25°C ~ +85°C
- Contact Resistance : 30mΩ Max.
- Insulation Resistance : 100mΩ Min.
- Withstanding Voltage : 250V AC/minute
- Pin Material : Phosphor Bronze
- Soldering Tab : Phosphor Bronze
- Insulator Material : Housing : LCP, UL 94-V0  
Actuator : Nylon6T, UL 94-V0

	<b>DESCRIPTION :</b> 0.50mm Pitch, FPC, ZIF, SMD, Right Angle, Bottom Contact Type	<b>GENERAL TOLERANCE</b>	
	<b>PART NO. :</b> <b>0501JRBSXX-6NLXX</b>	X.X ± 0.25 X.XX ± 0.15 X.XXX ± 0.05	SCALE : Free 