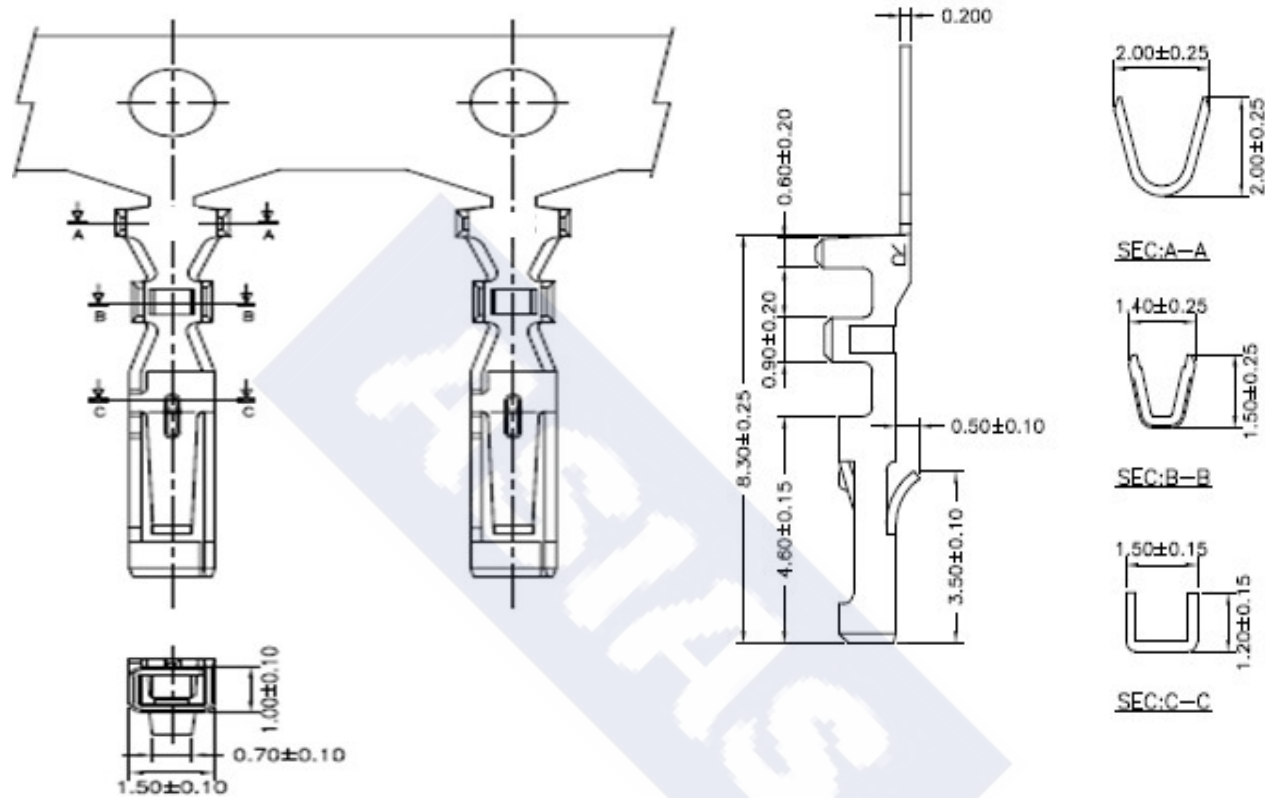


RoHS

Reach



## Ordering Information &amp; Specification

Part NO.	Wire Range	Insulation O.D.	Material	Finish	SPQ
2003JTF-TB	AWG#24~AWG#28	1.15mm(max)	Brass	Tin-plated	10,000 pcs/reel

\*\* Stamping before plating

DESCRIPTION :  
**2.00mm Pitch,  
 Crimp Terminal, Female Type**

PART NO. :  
**2003JTF-TB**

## GENERAL TOLERANCE

X.X ± 0.25  
 X.XX ± 0.15  
 X.XXX ± 0.05

SCALE : Free

